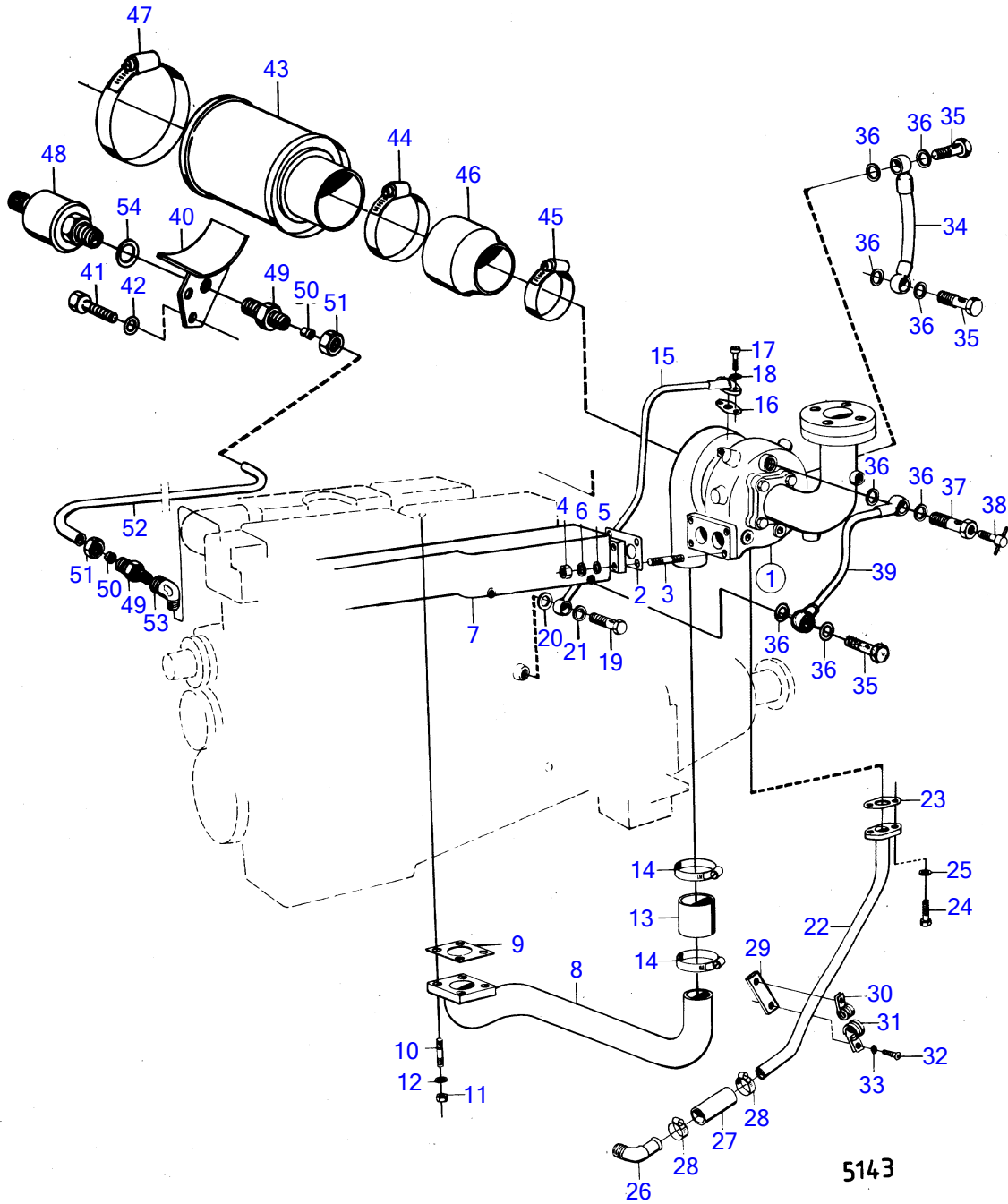


AQD70D, TAMD70D



AQD70D, TAM70D

| REF | PART NO. | QTY | DESCRIPTION | SEE SEC. | NOTES |
|-----|----------|-----|--|----------|---------------|
| 1 | | 1 | Turbocharger | | |
| | 3802014 | 1 | Turbocharger, exch, exch | | |
| | | | . | 16820 | |
| 2 | 421324 | 1 | Gasket | | |
| 3 | 924079 | 4 | Stud | | |
| 4 | 940183 | 4 | Hexagon nut | | |
| 5 | 955985 | 4 | O-ring | | |
| 6 | 942336 | 4 | Spring washer | | |
| 7 | (875706) | 1 | Exhaust pipe, exhaust manifold connection pipe | 16824 | Obsolete part |
| 8 | (837511) | 1 | Connection pipe | | Obsolete part |
| 9 | 824310 | 1 | Gasket | 16822 | |
| 10 | (953465) | 4 | Stud | | Obsolete part |
| 11 | 955826 | 4 | Hexagon nut | | |
| 12 | 941907 | 4 | Spring washer | | |
| 13 | 466327 | 1 | Hose | | |
| 14 | 943479 | 2 | Hose clamp | | |
| 15 | (837415) | 1 | Oil feed pipe | | Obsolete part |
| 16 | 420641 | 1 | Gasket | | |
| 17 | 955297 | 1 | Hexagon screw | | L=25mm |
| | 940142 | 1 | Hexagon screw | | L=30mm |
| 18 | 941907 | 2 | Spring washer | | |
| 19 | 942007 | 2 | Hollow screw | | |
| 20 | 957178 | 1 | Gasket | | |
| 21 | 957181 | 1 | Gasket | | |
| 22 | (843388) | 1 | Oil return pipe | | Obsolete part |
| 23 | 842986 | 1 | Gasket | | |
| 24 | 955297 | 2 | Hexagon screw | | |
| 25 | 941907 | 2 | Spring washer | | |
| 26 | 468629 | 1 | Elbow nipple | | |
| 27 | 192358 | X | Hose | | L=60mm |
| 28 | 943473 | 2 | Hose clamp | | |
| 29 | (836262) | 1 | Bracket | | Obsolete part |
| 30 | 952625 | 1 | Clamp | | |
| 31 | 952631 | 1 | Clamp | | |
| 32 | 950044 | 2 | Cross recessed screw | | |
| 33 | 941906 | 2 | Spring washer | | |
| 34 | 843976 | 1 | Hose | | |
| 35 | 191157 | 3 | Hollow screw | | |
| 36 | 957185 | 8 | Gasket | | |
| 37 | 191158 | 1 | Hollow screw | | |
| 38 | 82745 | 1 | Shut-off cock | | |
| 39 | 843977 | 1 | Coolant pipe | | |
| 40 | (843664) | 1 | Bracket | | Obsolete part |
| 41 | 955559 | 2 | Hexagon screw | | |
| 42 | 940280 | 2 | Spring washer | | |
| 43 | 842280 | 1 | Air filter | | |
| 44 | 943484 | 1 | Hose clamp | | |
| 45 | 943481 | 1 | Hose clamp | | |
| 46 | 842281 | 1 | Hose | | |
| 47 | 942921 | 1 | Hose clamp | | |
| 48 | 837782 | 1 | Pressure sensor | | See group 3 |
| 49 | 954379 | 1 | Nipple | | |
| 50 | 954365 | 2 | Fitting | | |
| 51 | 954357 | 2 | Fitting nut | | |
| 52 | (837960) | 1 | Tube | | Obsolete part |
| 53 | 954386 | 1 | Elbow nipple | | |
| 54 | 957181 | 1 | Gasket | | |