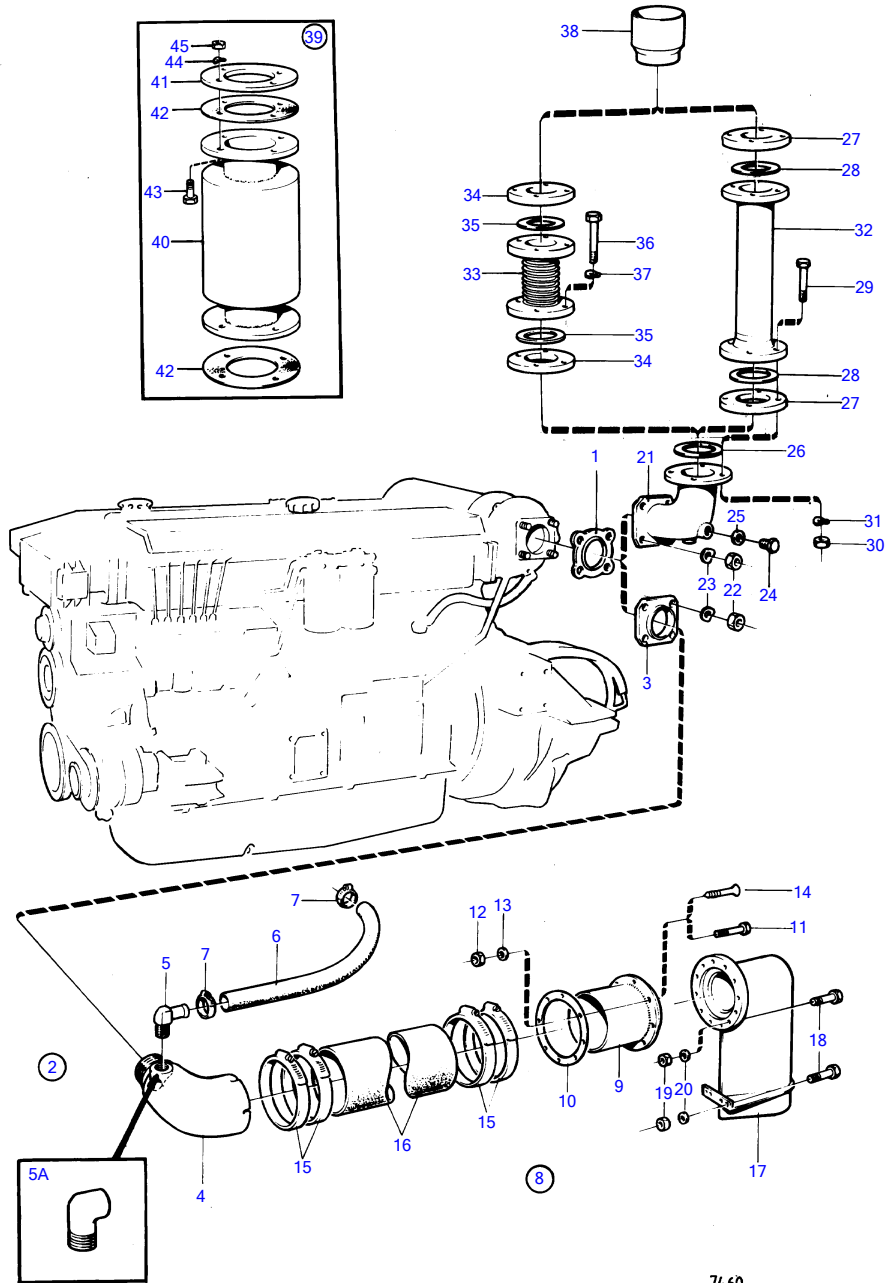


TAMD70E



TAMD70E

REF	PART NO.	QTY	DESCRIPTION	NOTES
1	424631	1	Gasket	
2	(843364)	1	Exhaust riser	Obsolete part
3	823770	1	• Flange	
4	836745	1	• Exhaust riser	
5	943134	1	• Elbow nipple	
5A	(803809)	1	• Elbow	Obsolete part
6	(13430)	X	• Rubber hose	L=550mm, Obsolete part
7	961669	2	• Hose clamp	
8	(836732)	1	Hull fitting	Obsolete part
9	836757	1	• Hull fitting	
10	836758	1	• Gasket	
11	941815	8	• Cross recessed screw	L=45mm
12	940190	8	• Hexagon nut	
13	(836768)	8	• Spring washer	Obsolete part
14	(836769)	8	• Wood screw	Obsolete part, Alt L=38mm
15	943485	4	• Hose clamp	
16	828489	X	Exhaust hose	
17	836823	1	• Muffler	
18	(959942)	16	• Hexagon screw	Obsolete part
19	940190	16	• Hexagon nut	
20	940191	16	• Washer	
21	836057	1	Exhaust riser	
22	943927	4	Hexagon nut	
23	941908	4	Spring washer	
24	914392	2	Plug	
25	947626	2	Gasket	
26	862594	1	Gasket	
27	820915	2	• Flange	
28	862594	2	• Gasket	
29	955592	8	• Hexagon screw	
30	955829	8	• Hexagon nut	
31	941912	8	• Spring washer	
32	820900	1	• Exhaust hose	L=590mm
33	(843087)	1	Compensator	Obsolete part, L=85mm
	843088	1	Compensator	L=185mm
34	820905	2	Flange	
35	862594	2	Gasket	
36	955365	8	Hexagon screw	
37	941912	8	Spring washer	
38	(837614)	1	Connector	Obsolete part
39	(843313)	1	Muffler	Obsolete part
40	807704	1	• Muffler	
41	843304	2	• Flange	
42	843303	2	• Gasket	
43	955591	8	• Hexagon screw	
44	941912	8	• Spring washer	
45	955829	8	• Hexagon nut	