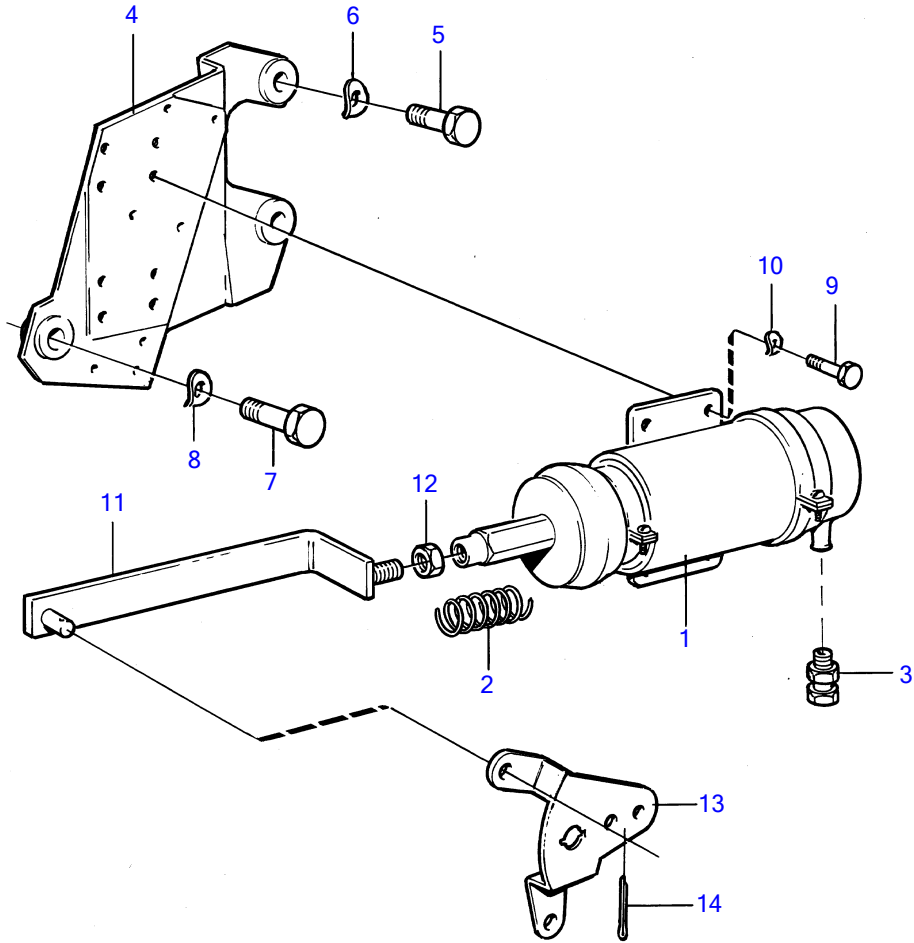


TAMD70E



6780

TAMD70E

REF	PART NO.	QTY	DESCRIPTION	NOTES
1	881531	1	Stop solenoid	12V
	881532	1	Magnet	24V
2	843401	1	Return spring	
3	881191	1	Grommet	
4	(846171)	1	Bracket	Obsolete part
5	955561	2	Hexagon screw	
6	940280	2	Spring washer	
7	955536	1	Hexagon screw	
8	942336	1	Spring washer	
9	955512	4	Hexagon screw	
10	941906	4	Spring washer	
11	(821121)	1	Pull link	Obsolete part
12	955857	1	Hexagon nut	
13	848677	1	Intermediate lever	
14	907824	1	Split pin	