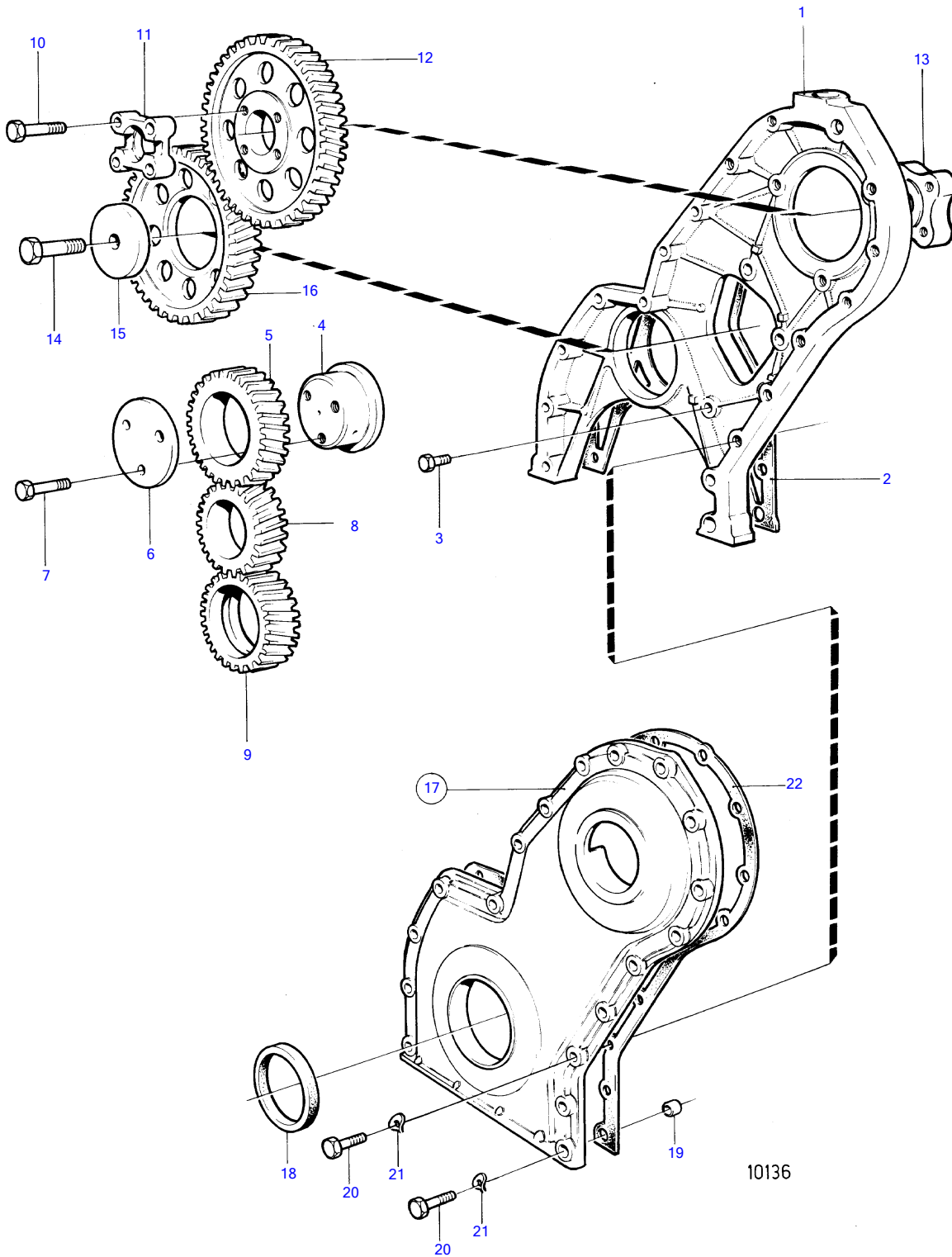


AD41D, D41D, TAM41D, TMD41D



AD41D, D41D, TAM41D, TMD41D

REF	PART NO.	QTY	DESCRIPTION	NOTES
1	838655	1	Timing gear casing	
2	859039	1	Gasket	
3	946173	3	Flange screw	L=20mm
	946671	1	Flange screw	L=30mm
4	838997	1	Bearing spindle	
5	1542061	1	Gear	
6	1542065	1	Thrust washer	
7	965180	3	Flange screw	
8	1542305	1	Gear	
9	1542215	1	Oil pump wheel	
10	955298	4	Hexagon screw	
11	829523	1	Companion flange	
12	838657	1	Gear	
13	859601	1	Hub	
14	965193	1	Flange screw	
15	1542223	1	Washer	
16	1542034	1	Gear	
17	843086	1	Cover	Replaced by 842991
	842991	1	Cover	
18	1542318	1	• Sealing ring	
19	415311	1	• Guide sleeve	
20	946470	8	Flange screw	L=35mm
	947760	1	Flange screw	L=40mm
	965181	6	Flange screw	L=70mm
	965182	2	Flange screw	L=80mm
	965183	1	Flange screw	L=90mm
21	941907	2	Spring washer	
22	859038	1	Gasket	

7746620-21-823

10136

Upd:2012-01-30

AD41D, D41D, TAM41D, TMD41D, DP-D1, DP-E, DP-S, DPX, SP-C1, HS1A

VOLVO
PENTA