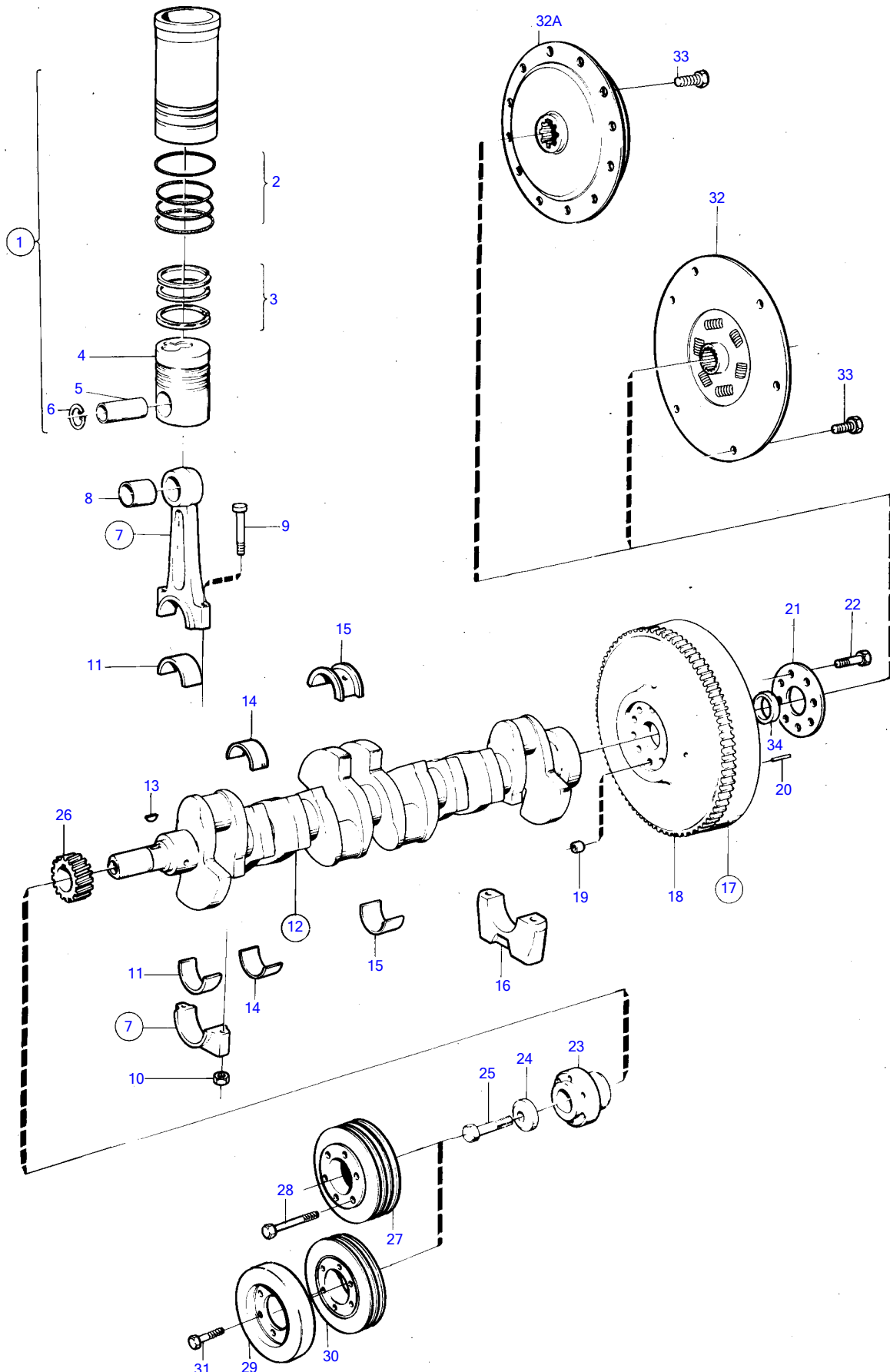


TMD41D



## TMD41D

REF	PART NO.	QTY	DESCRIPTION	NOTES
1	876261	6	Cylinder liner kit	SN-2204148592
	876784	6	Cylinder liner kit	SN2204148593-
2	275751	6	• Sealing ring kit	
3	275350	6	• Piston ring kit	For 876261
	876528	6	• Piston ring kit	For 876784
4		6	• Piston	
5	422793	6	• Piston pin	
6	914519	12	• Snap ring	
7	1542072	6	Connecting rod	SN-2204148612
	860381	6	Connecting rod	SN2204148613-
8	1542076	6	• Bushing	SN-2204148612
	860194	6	• Bushing	SN2204148613-
9	1542077	12	• Connecting rod bolt	
10	1542078	12	• Nut	
11	876511	6	Big-end bearing kit	Std D
	876512	6	Big-end bearing kit	U.S=0,25mm
	876513	6	Big-end bearing kit	U.S=0,50mm
	876514	6	Big-end bearing kit	U.S=0,75mm
12	860379	1	Crankshaft	
13	910118	1	• Woodruff key	
14	876515	6	Main bearing kit	Std D
	876516	6	Main bearing kit	U.S=0,25mm
	876517	6	Main bearing kit	U.S=0,50mm
	876518	6	Main bearing kit	U.S=0,75mm
15	876519	1	Thrust bearing	Std D
	876520	1	Thrust bearing	O.S=0,10mm/U.S=0,25mm
	876521	1	Thrust bearing	O.S=0,20mm/U.S=0,50mm
	876522	1	Thrust bearing	O.S=0,20mm/U.S=0,75mm
16		7	Main bearing cap	
17	860377	1	Flywheel	HS1A, PRM, BW
18	829462	1	• Ring gear	
19	415311	1	• Guide sleeve	
20	191873	3	• Locating pin	
21	1542093	1	Bolt plate	Early type
				Replaced by 861671
22	1544147	8	Screw	Use together with bolt plate 1542093., Early type
	861671	1	Repair kit	The kit includes 8 pcs screw., Shall not be used together with bolt plate 1542093., Late type
23	1542196	1	Hub	
24	420124	1	Washer	
25	470366	1	Flange screw	(1542149)
26	1542305	1	Gear	
27	838725	1	Vibration damper	
28	948217	6	Flange screw	
32A	854753	1	Vibration damper	HS1A, BW
33	946173	6	Flange screw	
34	872761	1	Bushing	