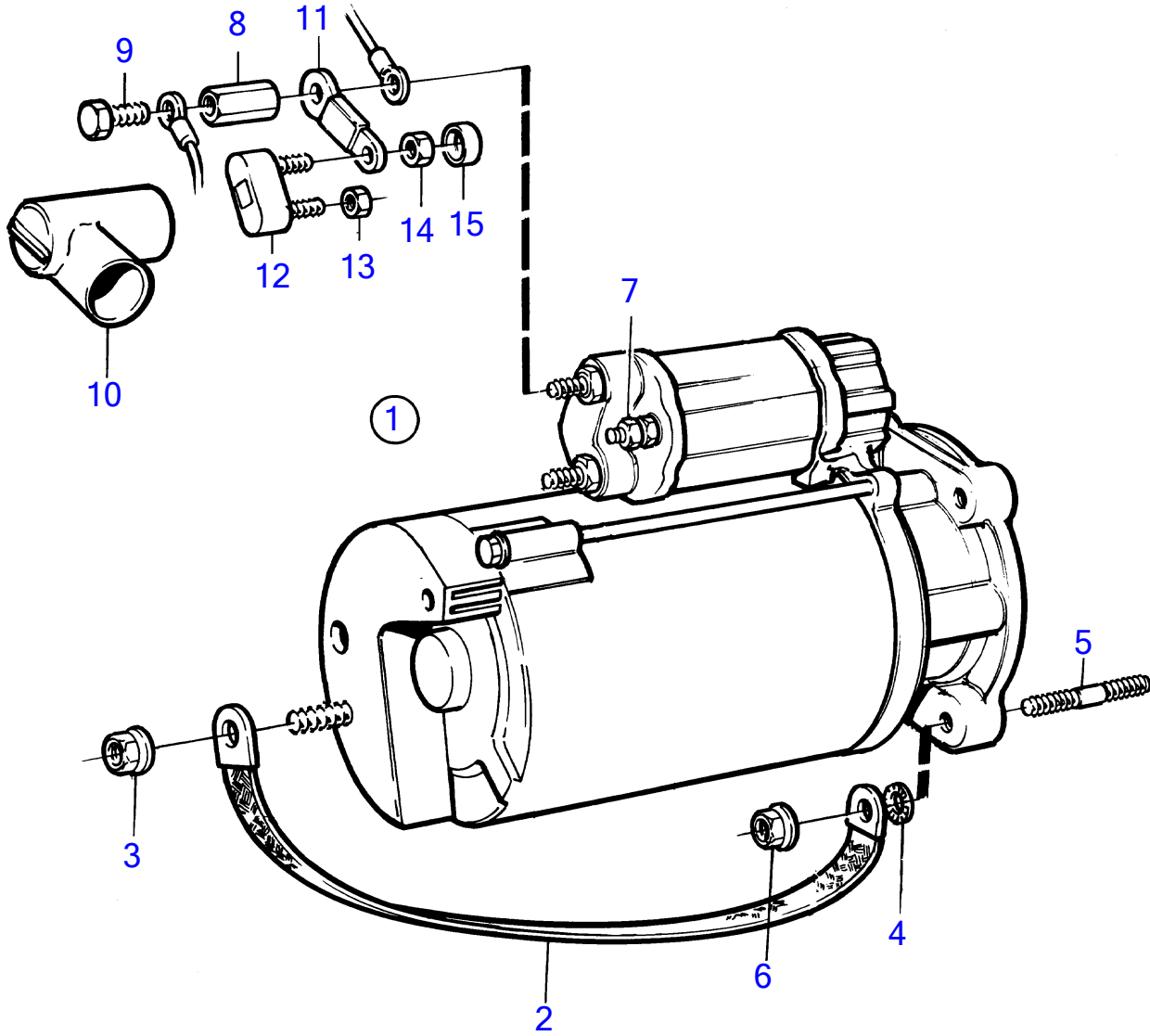


AD41D, D41D



10788

AD41D, D41D

REF	PART NO.	QTY	DESCRIPTION	SEE SEC.	NOTES
1	859252	1	Starter motor		
			.		
			.	583	
2	968048	1	Chassis ground cable		
3	968862	1	Nut		
4	945987	1	Toothed washer		
5	953067	2	Stud		L=45mm
	953069	1	Stud		L=50mm
6	971095	3	Flange nut		
7	965483	1	Flange nut		
8	855314	1	Nut		
9	947107	1	Flange screw		
10	855798	1	Protecting sleeve		
11	860212	1	Current bar		
12	856355	1	Fuse		
13	945407	1	Flange nut		
14	853573	1	Anode kit		
15	853572	1	Protective cap		