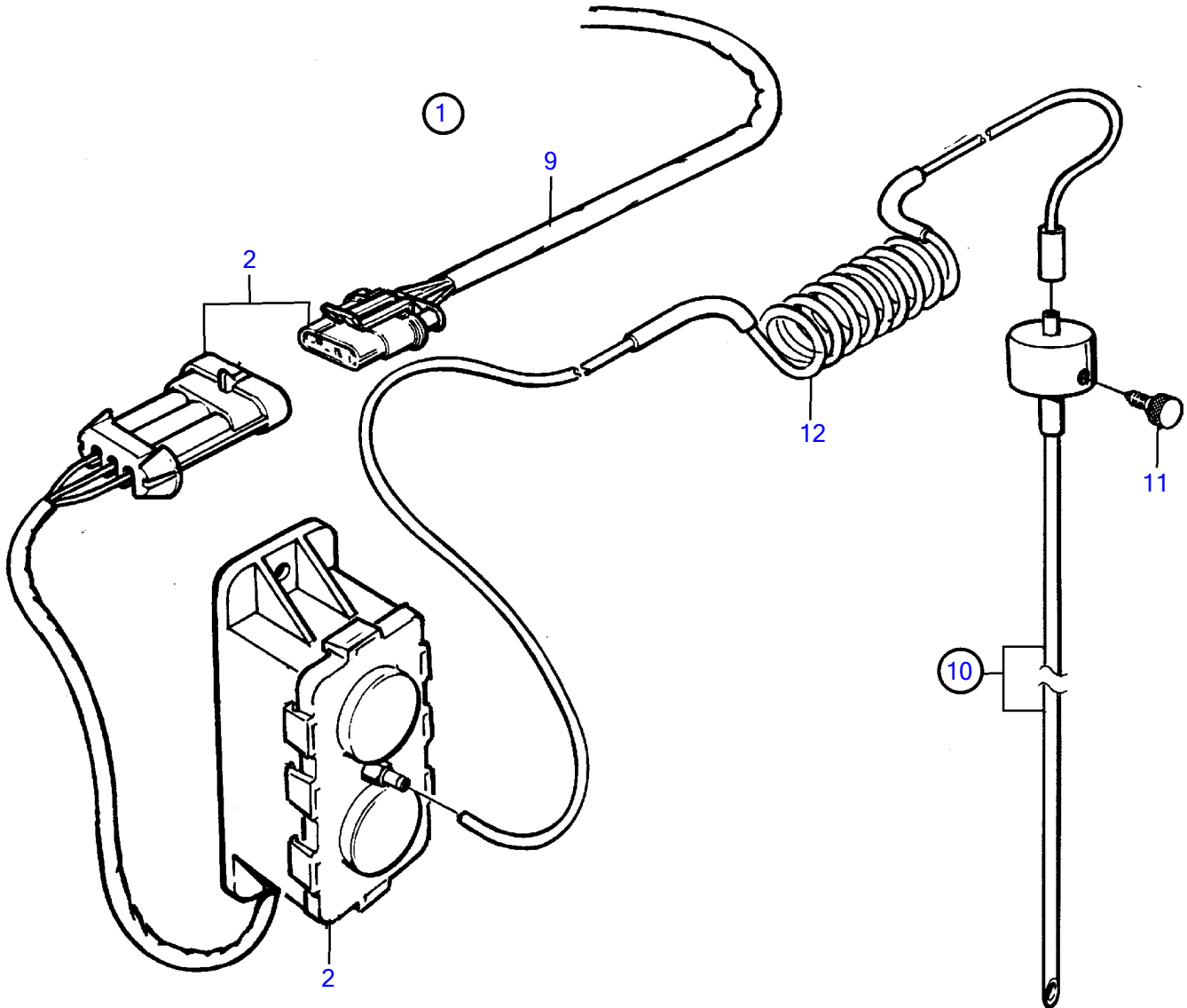
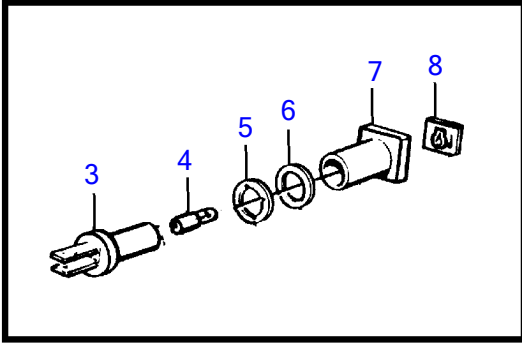


AD41D, D41D, TAM41D, TMD41D



AD41D, D41D, TAMD41D, TMD41D

REF	PART NO.	QTY	DESCRIPTION	SEE SEC.	NOTES
1	(866854)	1	Oil level sensor		12V, Obsolete part
2	(866831)	1	• Electronic unit		Obsolete part
3	808175	1	• Lamp socket		
4	19923	1	• Bulb		12V
5	967583	1	• Retainer		
6	829714	1	• Sealing ring		
7	838455	1	• Retainer		
8	866853	1	• Symbol strip		
9		X	cables and terminals	1963	
10	(866841)	1	Dipstick		Obsolete part
11		1	• Screw		
12		1	• Hose		