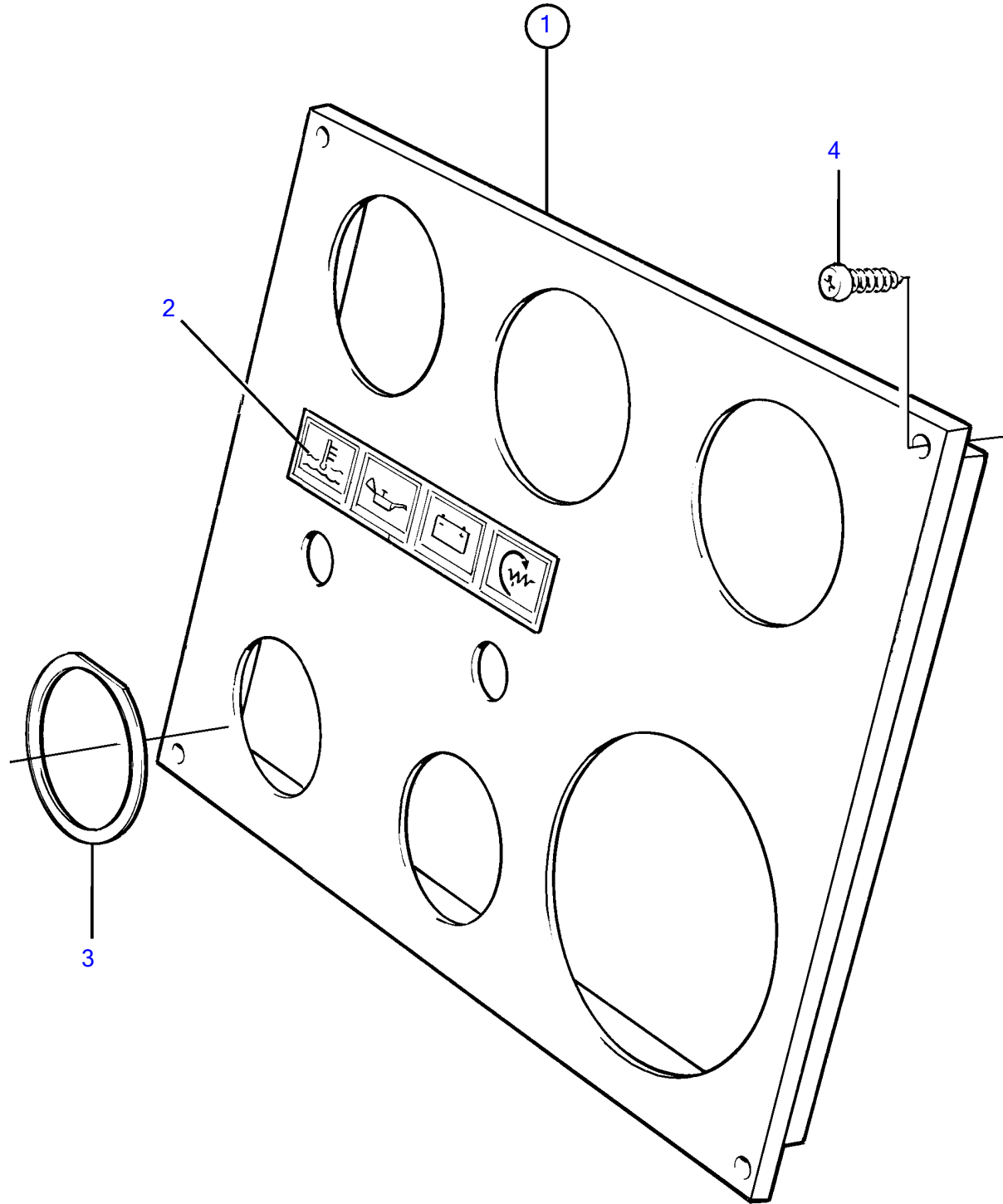


AD41D, D41D, TAM41D, TMD41D



AD41D, D41D, TAMD41D, TMD41D

| REF | PART NO. | QTY | DESCRIPTION |
|-----|----------|-----|---------------------------------|
| 1 | 860184 | 1 | Instrument panel |
| 2 | 858645 | 1 | • Symbol strip |
| 3 | | 1 | • Marking label, starter switch |
| 4 | 828647 | 4 | Screw |