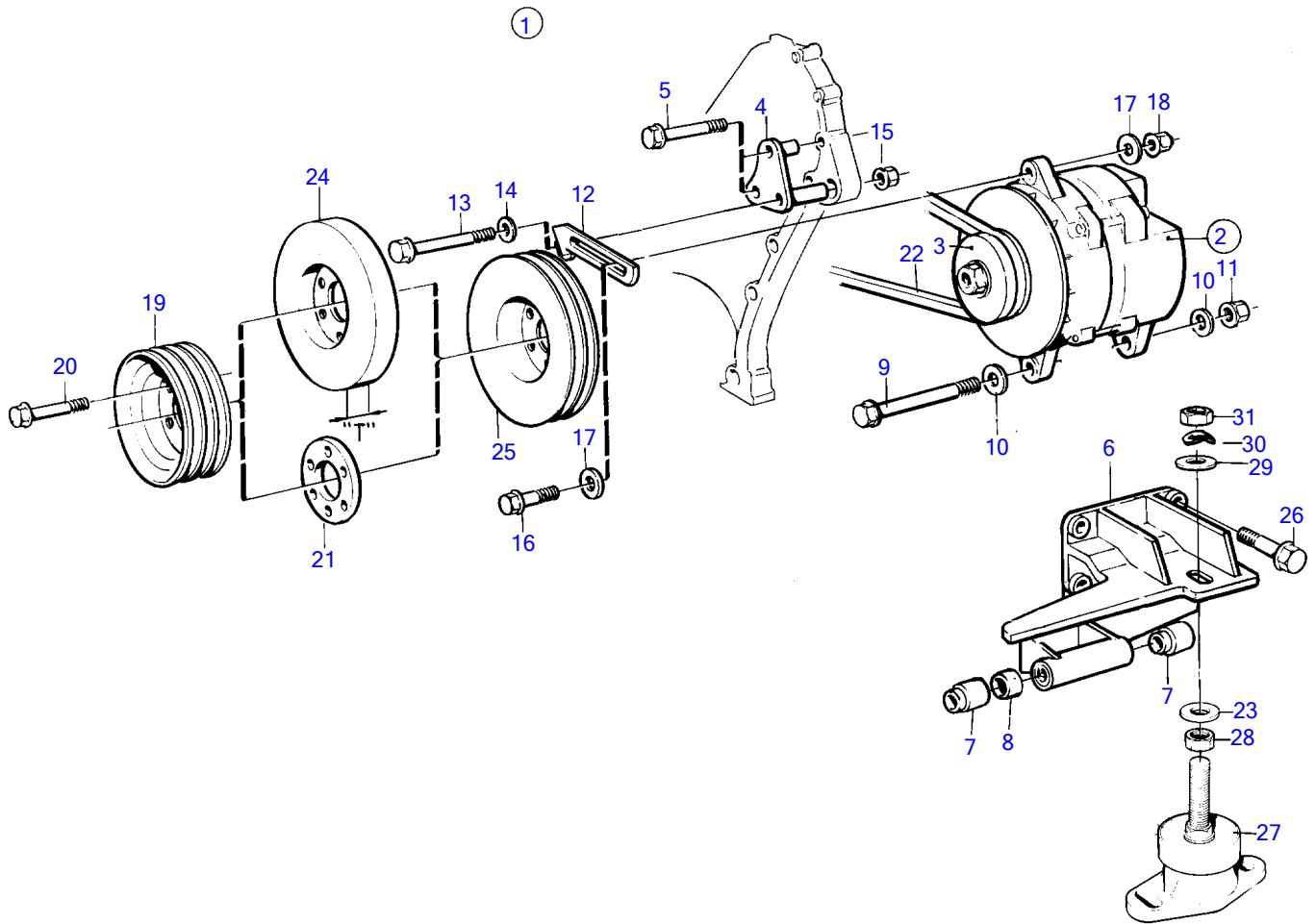


AD41D, D41D, TAM41D, TMD41D



11123

## AD41D, D41D, TAMD41D, TMD41D

REF	PART NO.	QTY	DESCRIPTION	SEE SEC.	NOTES
1	861155	1	Alternator kit		Fits engines with damper thickness TH=35mm and TH=41mm.
2				594	
	(849748)	1	• Alternator		28V, 100A, Obsolete part
	(3803499)	1	• Alternator, exch, exch		28V, 100A, Obsolete part
				596	
3	830920	1	• Pulley		
4	860869	1	• Bracket		
5	965181	2	• Flange screw		
6	860868	1	• Bracket		
7	859574	2	• • Bushing		
8		1	• • Sleeve		
9	970988	1	• Hexagon screw		
10	955897	2	• Washer		
11	971099	1	• Flange lock nut		
12	859075	1	• Tensioner		
13	970963	1	• Hexagon screw		
14	960148	1	• Washer		
15	971098	1	• Flange lock nut		
16	946752	1	• Flange screw		
17	960143	2	• Washer		
18	971098	1	• Flange lock nut		
19	861123	1	• Pulley		Fits engines with damper thickness TH=35mm and TH=41mm.
20	973080	6	• Screw		
21	860870	1	• Spacer		
22	966391	1	• V-belt		
23	945544	1	• Washer		Only used for rubber element with M16 bolt.
24		1	Absorber		Alt. see group 21
25		1	Pulley		See group 21
26		4	Screw		See group 21
27		X	Rubber element		See group 21
28		X	Nut		See group 21
29		X	Washer		See group 21
30		X	Spring washer		See group 21
31		X	Nut		See group 21