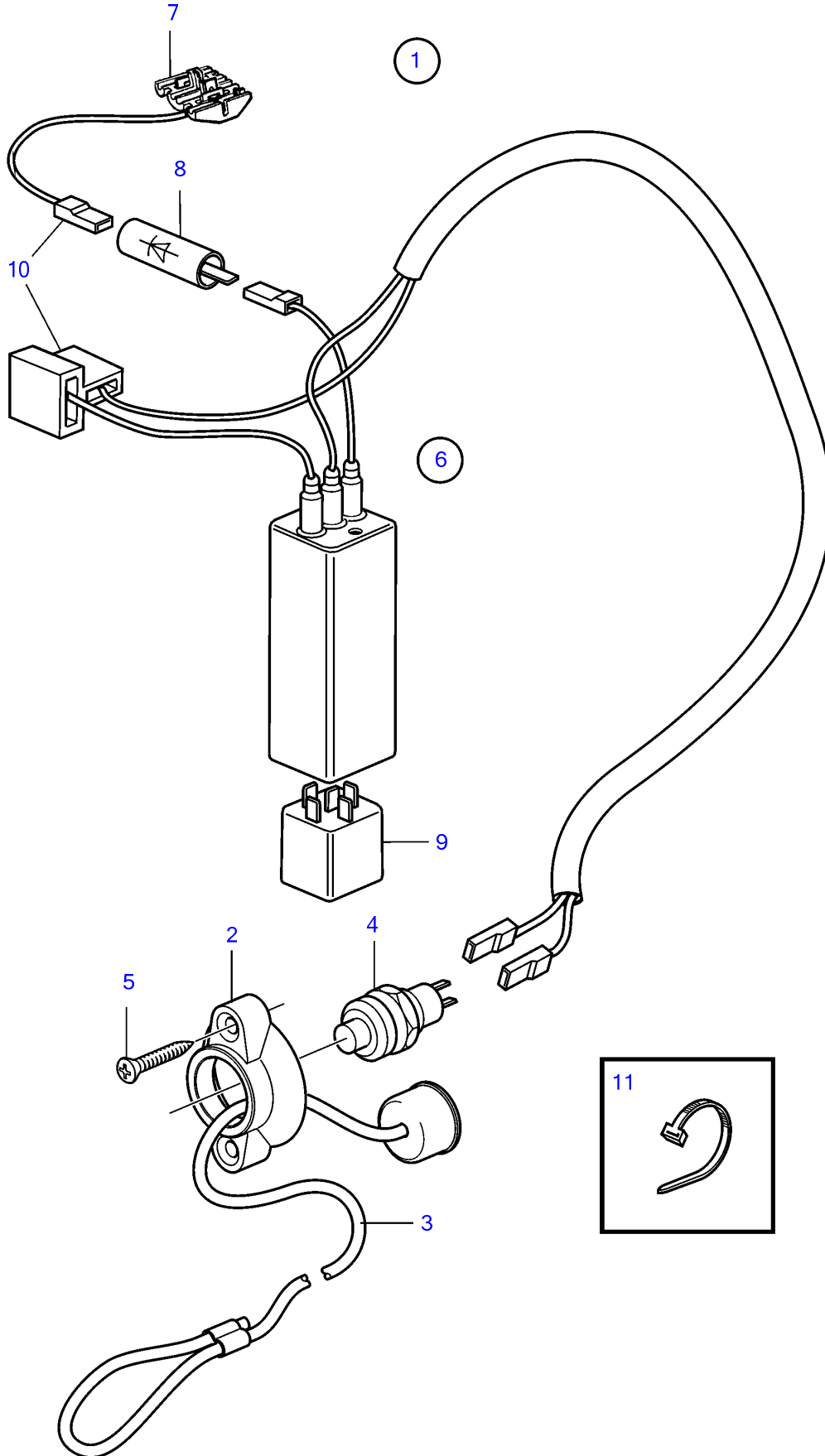


AD41D, D41D, TAM41D, TMD41D



AD41D, D41D, TAMD41D, TMD41D

REF	PART NO.	QTY	DESCRIPTION	SEE SEC.	NOTES
1	873977	1	Safety switch		Repl by 873977
2	839342	1	• Anchorage		
3	839421	1	• Fuse		
4	843684	1	• Button		
5	944540	2	• Screw		
6	873968	1	• Cable kit		
7	944306	1	• • Connector		
8		1	• • • Diode		(1624394)
9	873765	1	• • • Relay		
10		X	• • electrical materials	1963	
11	948211	5	• Cable tie		