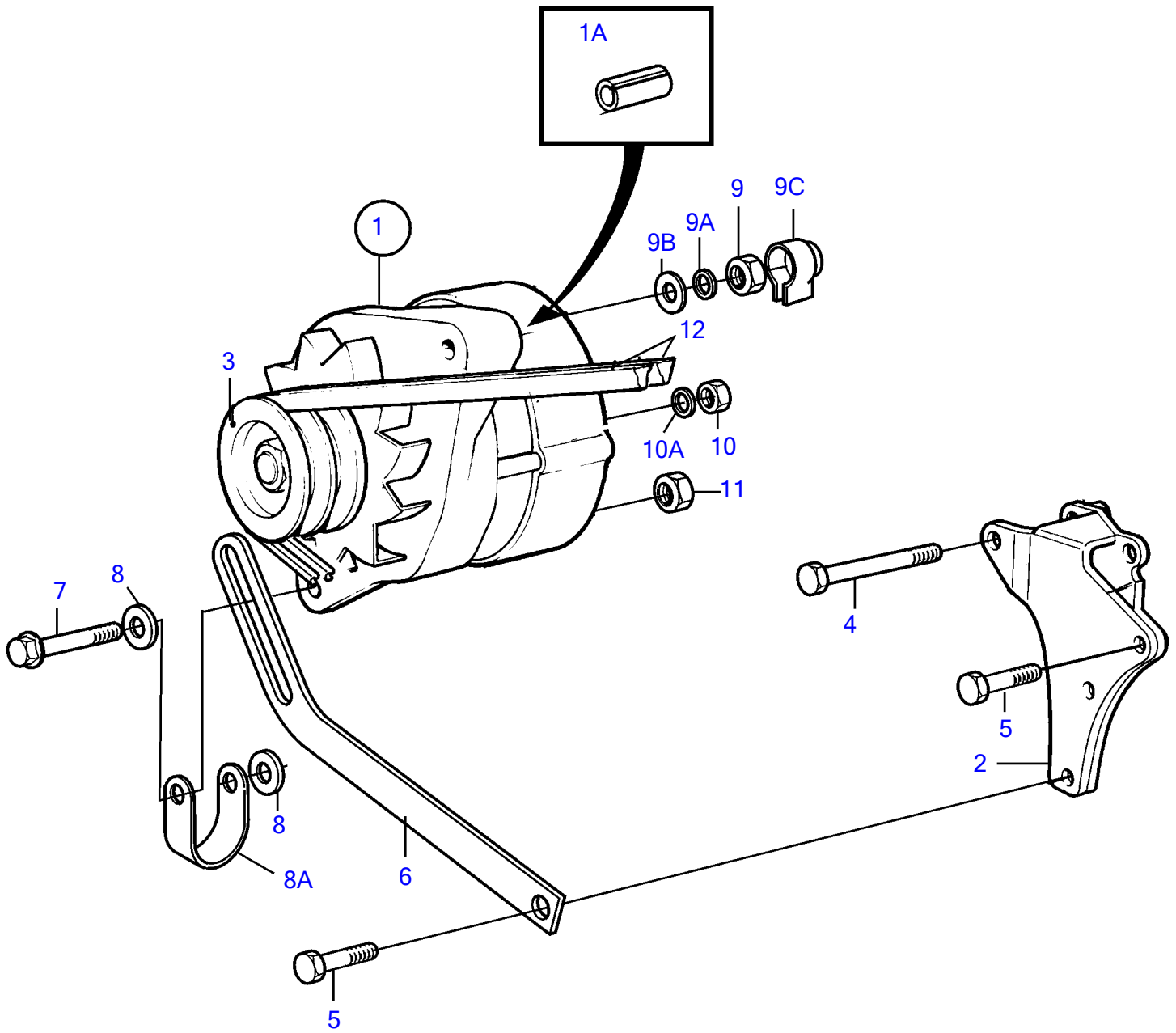


AD41D, D41D, TAM41D, TMD41D



11367

AD41D, D41D, TAMD41D, TMD41D

REF	PART NO.	QTY	DESCRIPTION	SEE SEC.	NOTES
1	872235	1	Alternator		14V 60A
	3803260	1	Alternator, exch, exch		14V 60A
			.		
			.	448	
	872021	1	Alternator		28V 60A
			.		
			.	127	
1A	1610144	1	Spring pin		
2	860271	1	Bracket		
3	841812	1	Pulley		
4	955554	1	Hexagon screw		
5	965179	1	Flange screw		L=50mm
	965182	2	Flange screw		L=80mm
	969189	1	Flange screw		L=85mm
6	835352	1	Tensioner		
7	947760	1	Flange screw		
8	466735	1	Tensioning eyelet		
8A	941909	2	Spring washer		
9	955781	1	Hexagon nut		
9A	941906	1	Spring washer		
9B	960140	1	Washer		
9C	(1234326)	1	Protecting casing		Obsolete part
10	965483	1	Flange nut		
10A	941905	1	Spring washer		
11	945407	1	Flange nut		
12	966978	1	V-belt		