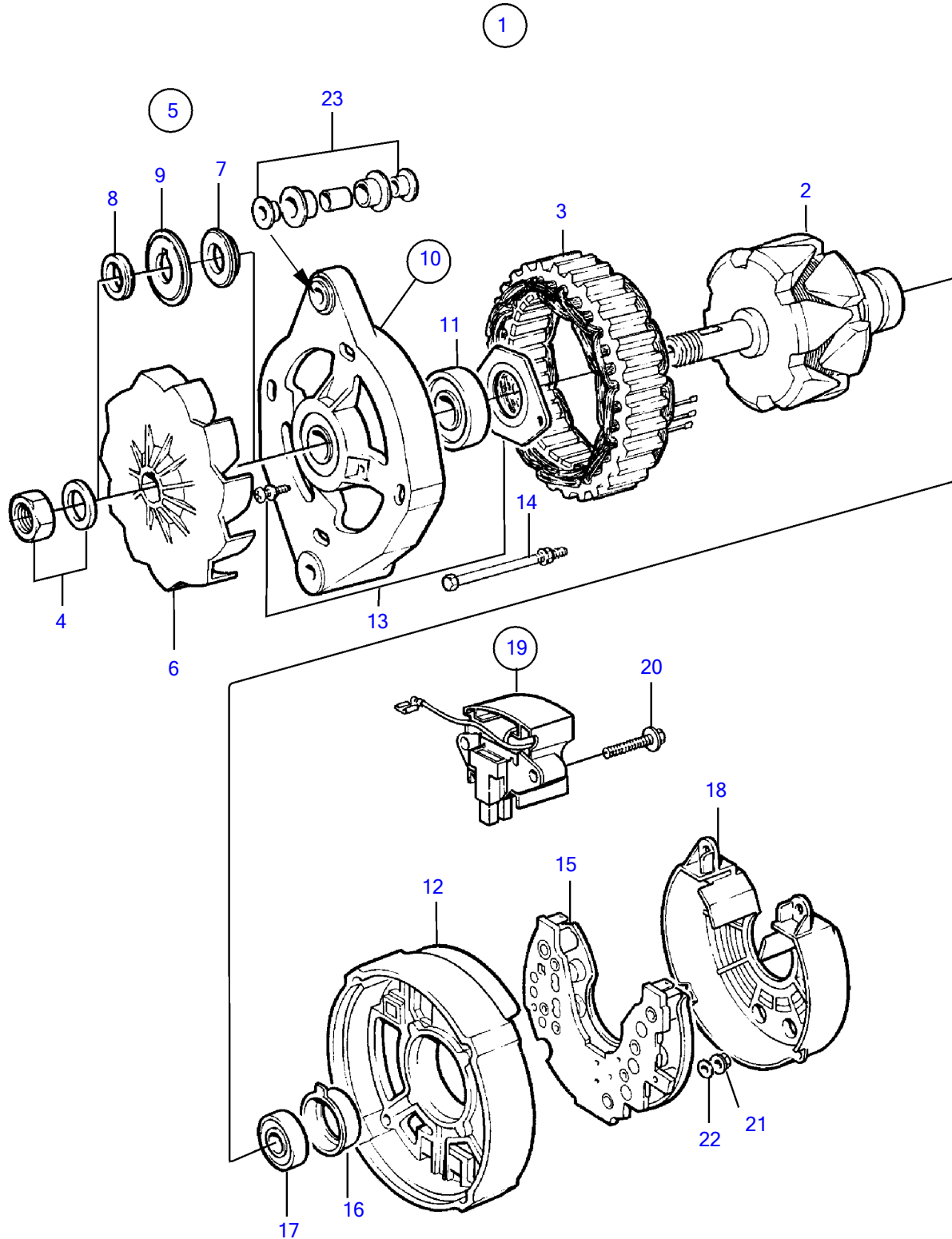


AD41D, D41D, TAM41D, TMD41D



AD41D, D41D, TAMD41D, TMD41D

REF	PART NO.	QTY	DESCRIPTION	NOTES
1	872927	1	Alternator	
	3803619	1	Alternator, exch, exch	
2		1	• Rotor	
3	(848401)	1	• Field winding	Obsolete part
4	6212688	1	• Mounting kit	
5	(860281)	1	• Fan kit	Obsolete part
6		1	• • Fan	
7	862897	1	• • Spacer	
8	860284	1	• • Spacer	
9	860283	1	• • Washer	
10		1	• End plate	
11	860432	1	• • Ball bearing	
12		1	• End plate	
13	(840625)	1	• Mounting kit	Obsolete part
14		1	• Screw kit	
15	(1698689)	1	• Diode bridge	Obsolete part
16	(873241)	1	• Bearing carrier	Obsolete part
17	(873239)	1	• Ball bearing	Obsolete part
18	873240	1	• Protecting casing	
19			•	
20		2	• • Screw	
21	955779	1	• Hexagon nut	(M4) W
	965483	2	• Flange nut	(M5) D+, B-
	945407	1	• Flange nut	(M6) B-
22	980689	1	• Washer	(For M4) W
23	840634	1	• Guide	