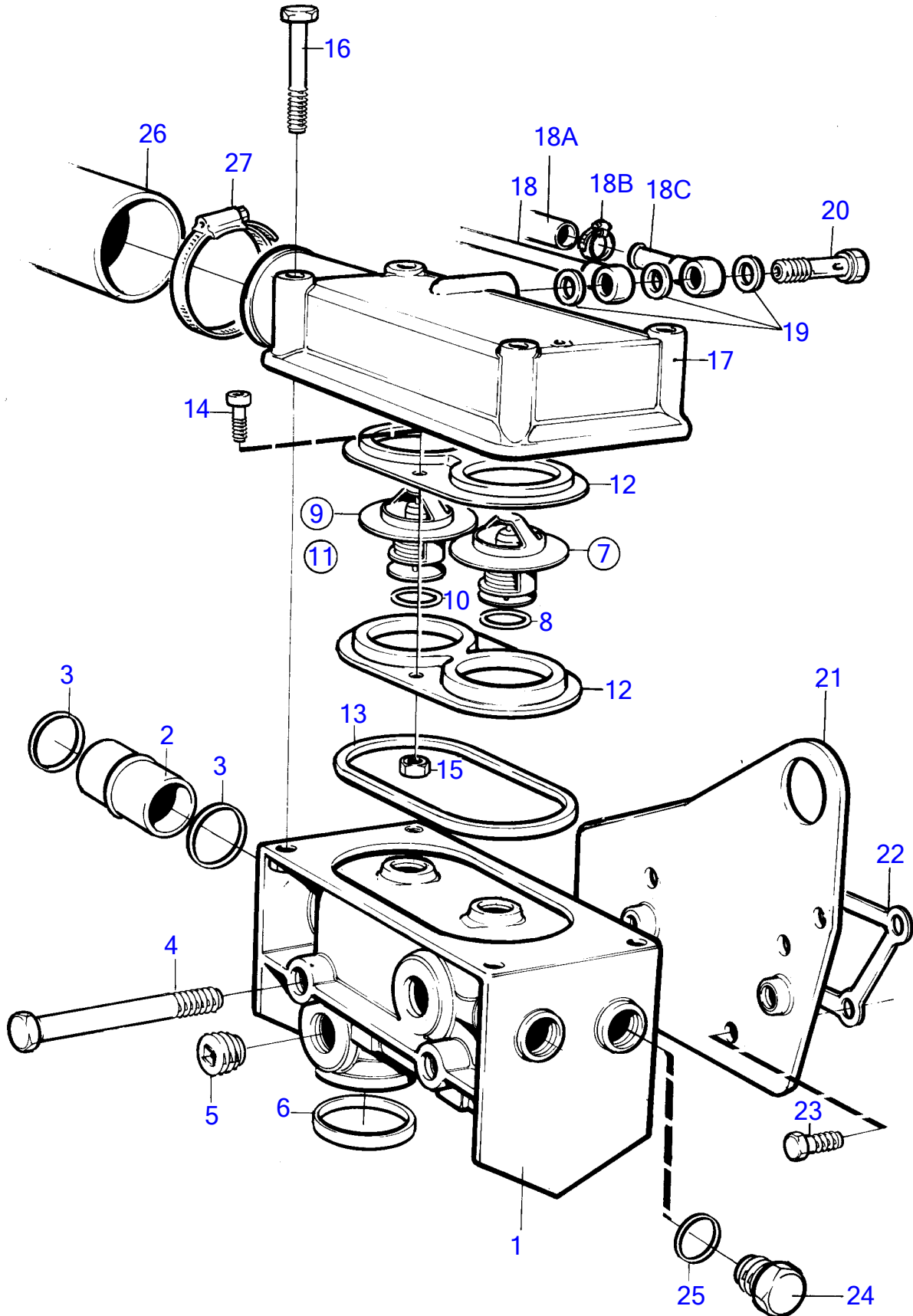


TAMD41D



15492

TAMD41D

REF	PART NO.	QTY	DESCRIPTION	NOTES
1	838704	1	Thermostat housing	
2	838739	1	Adapter	
3	968927	2	O-ring	
4	965183	2	Flange screw	
5	952077	2	Plug	
6	1542198	1	Sealing ring	
7	876128	1	Thermostat kit	81°C
8	416033	1	• Sealing ring	
9	875849	1	Thermostat kit	With air venting valve., 81°C
10	416033	1	• Sealing ring	
11	876145	1	Retainer kit	
12	859229	2	• Retainer	
13	838807	1	• Sealing ring	
14	963554	2	• Hexagon screw	
15	966170	2	• Lock nut	
16	965217	4	Flange screw	
17	860449	1	Cardboard tube	Obsolete part
18	860215	1	Air vent hose	Turbo-thermostat housing.
18A	943366	X	Rubber hose	Expansion tank-thermostat housing., For engines in with keel cooling., L=2000mm
18B	943470	1	Hose clamp	For engines in with keel cooling.
18C	858750	1	Banjo nipple	For engines in with keel cooling.
19	11994	2	Gasket	Std
	11994	3	Gasket	For engines in with keel cooling.
20	969299	1	Hollow screw	Std
	968194	1	Hollow screw	For engines in with keel cooling.
21	860518	1	Adapter	
22	1542187	1	Gasket	
23	955295	4	Hexagon screw	
24	960632	2	Plug	Early type
	960632	1	Plug	Late type
25	957181	2	Gasket	Early type
	957181	1	Gasket	Late type
26	861110	1	Hose	Thermostat housing-heat exchanger., Std
	860968	1	Hose	Thermostat housing-outlet., For engines in with keel cooling.
27	943478	1	Hose clamp	