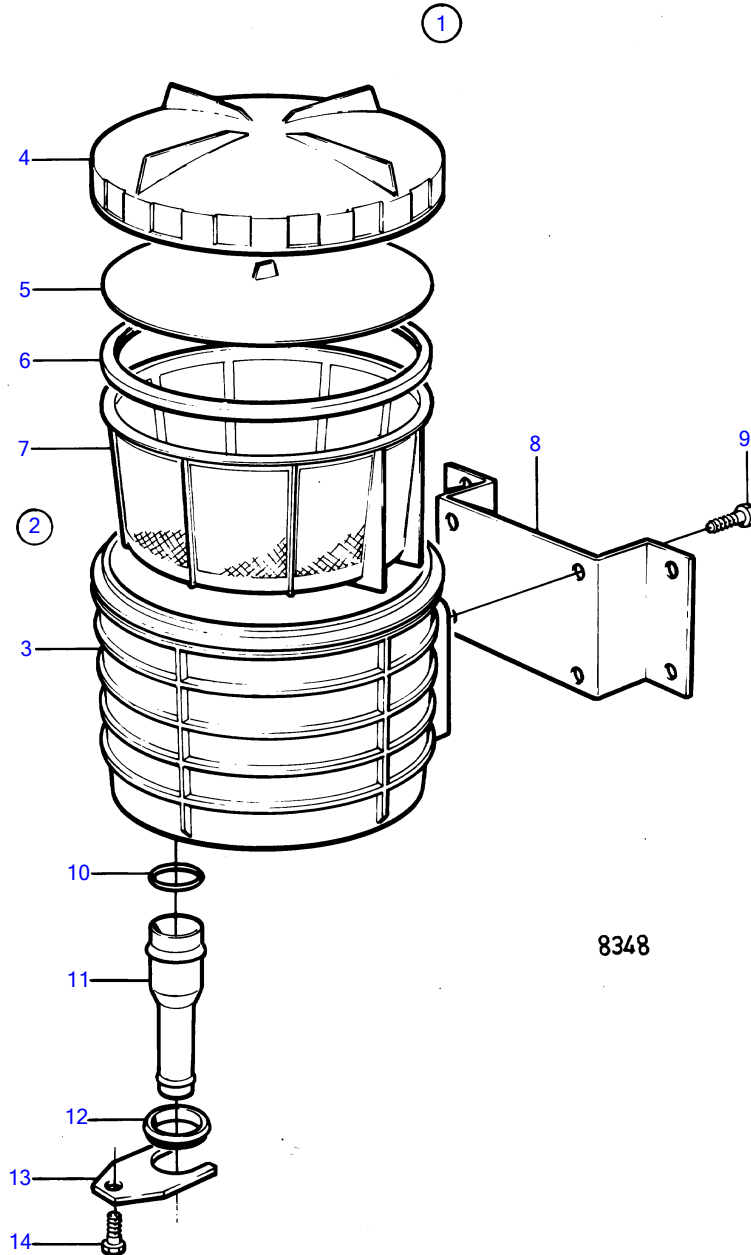


AD41D, D41D, TAM41D, TMD41D



AD41D, D41D, TAMD41D, TMD41D

REF	PART NO.	QTY	DESCRIPTION	NOTES
1	858843	1	Seawater sieve kit	D=32mm
2	845337	1	• Sea water filter	
3	845338	1	• • Strainer housing	
4	845317	1	• • • Cover	
5	845328	1	• • • Pressure plate	
6	838977	1	• • • Sealing	
7	858081	1	• • • Strainer	
8	845960	1	• Bracket	
9	940199	4	• Hexagon screw	
10	845354	2	• Sealing ring	
11	847106	1	• Hose connection	L=80mm
	838582	1	• Hose connection	L=125mm
12	847017	2	• Pipe retainer	
13	847018	2	• Brace	
14	940199	2	• Hexagon screw	