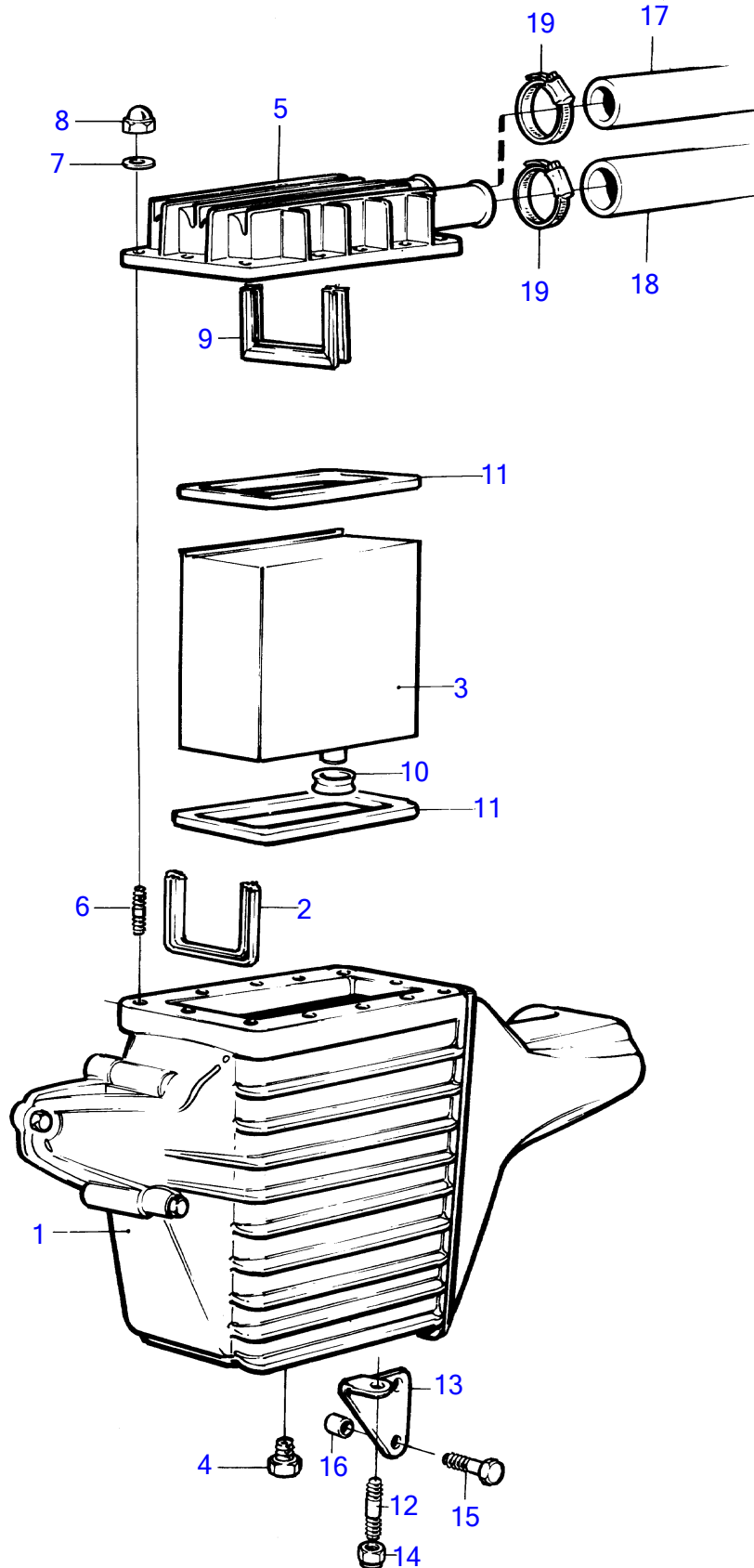


AD41D



11476

AD41D

REF	PART NO.	QTY	DESCRIPTION	NOTES
1	859354	1	Housing	
2	838831	1	Sealing strip	
3	861553	1	Insert	(861049)
4	861551	1	• Plug	(861116)
5	860409	1	Cover	
6	953036	12	Stud	
7	955893	12	Washer	
8	968458	12	Flange cap nut	
9	847573	1	Sealing strip	
10	858979	1	Sealing ring	
11	860920	2	Gasket	
12	953041	1	Stud	
13	858965	1	Bracket	
14	968862	1	Nut	
15	965226	2	Flange screw	
16	861554	2	Spacer	Std, (1572568)
	912142	2	Spacer sleeve	For universal joint shaft installations
17	860404	1	Hose	After cooler-oil cooler.
18	860645	1	Hose	Heat exchanger-after cooler.
19	943476	2	Hose clamp	