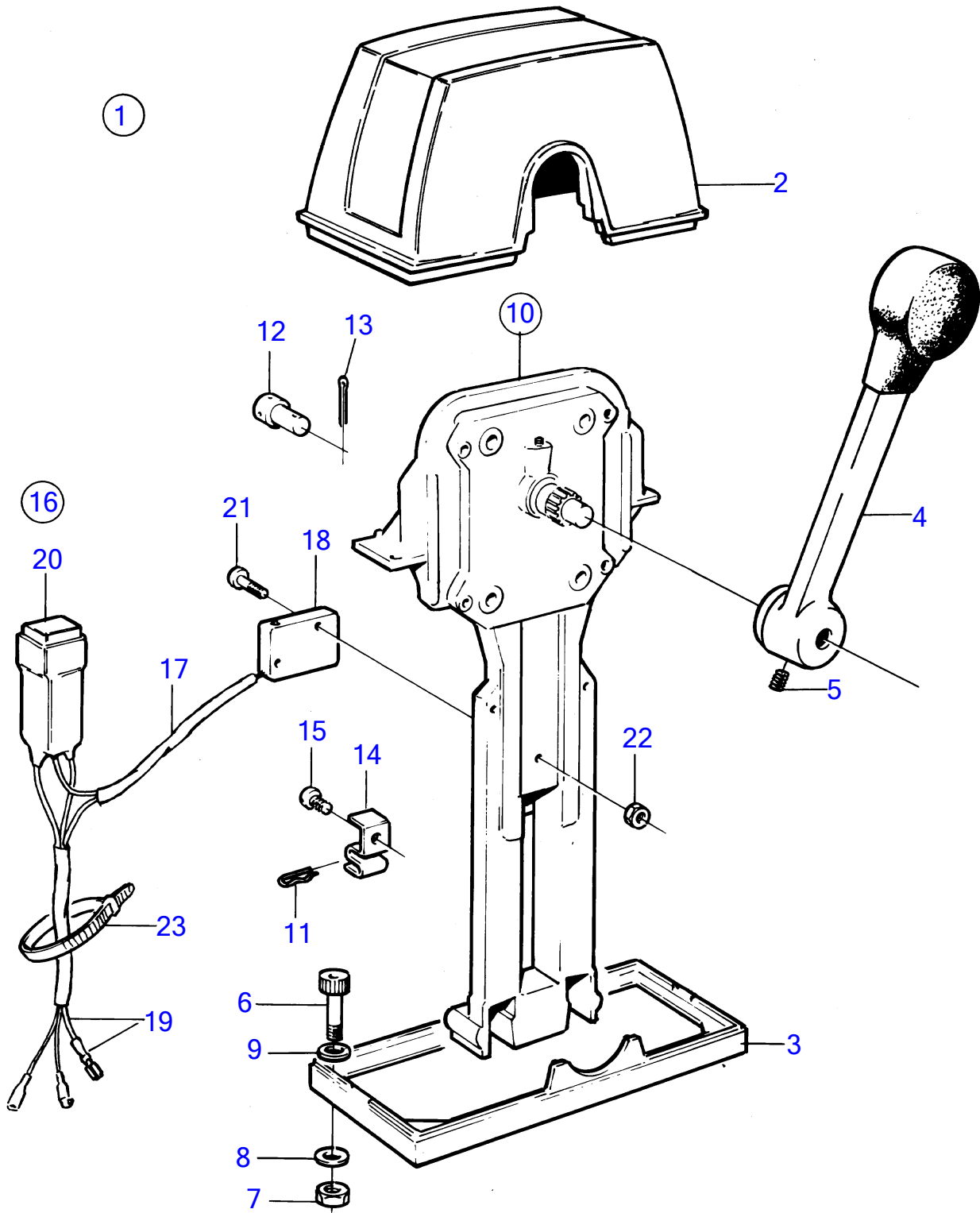


AD41D, D41D, TAMD41D, TMD41D



8862

AD41D, D41D, TAM41D, TMD41D

REF	PART NO.	QTY	DESCRIPTION	SEE SEC.	NOTES
1	1140022	1	Mounting kit		
2	850823	1	• Cover		
3	839474	1	• Plate		
4	839521	1	• Hand lever		
5	839693	1	• Lock screw		
6	947671	4	• Hex. socket screw		
7	955780	4	• Hexagon nut		
8	960138	4	• Washer		
9	940090	2	• Washer		
10	851600	1	Control		
11	852924	1	• Clip		
12	839638	2	• Cube		
13	17253	2	• Split pin		
14	853423	1	• Retainer		
15	839664	1	• Screw		
16	855352	1	Neutral position con		
17	(839619)	1	• Cable kit		Obsolete part
18	850200	1	• • Toggle switch		
19		X	• • cables and terminals	1963	
20	876037	1	• Relay kit		
21	946177	2	• Cross recessed screw		
22	947536	2	• Hexagon nut		
23	948211	X	• Cable tie		