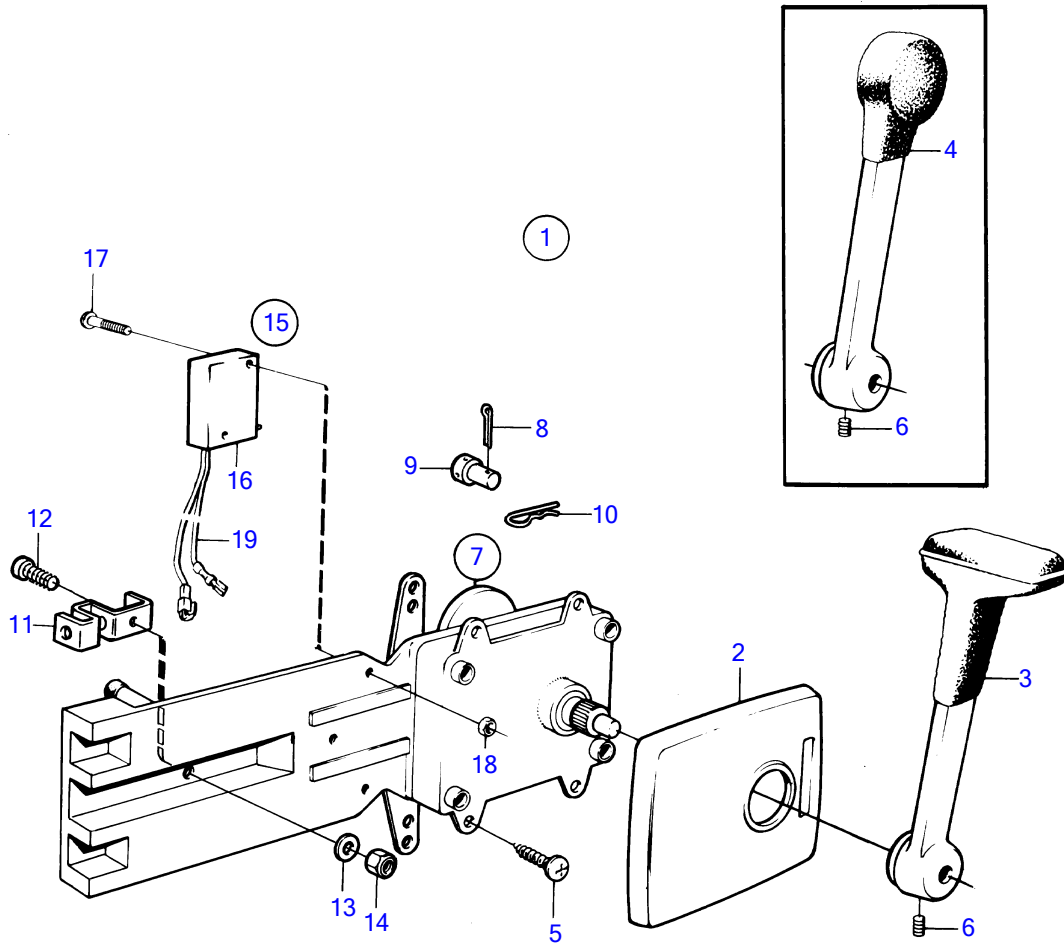


AD41D, D41D, TAM41D, TMD41D



9584

AD41D, D41D, TAMD41D, TMD41D

REF	PART NO.	QTY	DESCRIPTION	SEE SEC.
1	851605	1	Mounting kit	
2	1140048	1	• Cover	
4	839521	1	• Hand lever	
5	955142	4	• Cross recessed screw	
6	839693	1	• Lock screw	
7	851601	1	Control	
8	17253	2	• Split pin	
9	839638	2	• Cube	
10	852924	1	• Clip	
11	853423	1	• Retainer	
12	839664	1	• Screw	
13	940275	1	• Washer	
14	946435	1	• Lock nut	
15	855352	1	Neutral position con	
16	850200	1	• Toggle switch	
17	946177	2	• Cross recessed screw	
18	947536	2	• Hexagon nut	
19		X	• electrical materials	1963