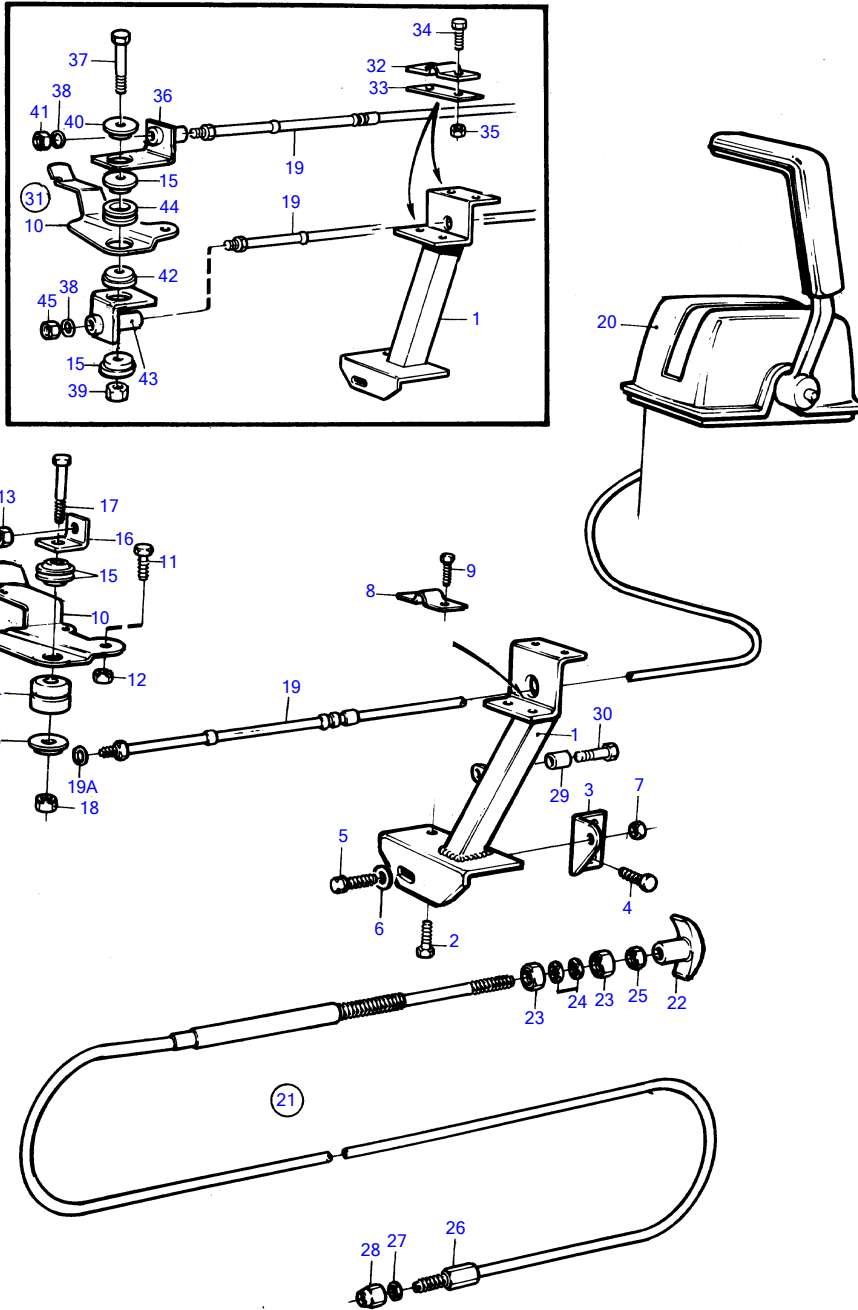


AD41D, D41D, TAM41D, TMD41D



15585

AD41D, D41D, TAMD41D, TMD41D

REF	PART NO.	QTY	DESCRIPTION	SEE SEC.	NOTES
1	838783	1	Bracket		
2	946471	1	Flange screw		L=16mm
	946441	1	Flange screw		L=20mm
3	838753	1	Bracket		
4	946440	2	Flange screw		
5	945444	1	Flange screw		
6	191172	1	Washer		
7	948645	1	Flange lock nut		
8	21471054	1	Bracket		
9	956078	2	Cross recessed screw		
10	(858261)	1	Lever		Obsolete part
11	946544	1	Flange screw		
12	949278	1	Flange lock nut		
13	951674	1	Lock nut		
14	843109	1	Bushing		
15	843105	3	Spacer washer		
16	843107	1	Anchorage		
17	955274	1	Hexagon screw		
18	955278	1	Hexagon screw		
19		1	Control cable	231	
19A	955971	1	O-ring		
20		1	Control		
21	(818478)	1	Push pull control		L=3,3m, Obsolete part
	(818470)	1	Push pull control		L=6,9m, Obsolete part
22	(829241)	1	• Handle		Obsolete part
23	955857	2	• Hexagon nut		
24	955950	2	• Toothed washer		
25	955844	1	• Hexagon nut		
26	829070	1	Cable lock		
27	955894	2	Washer		
28	(950363)	1	Lock nut		Obsolete part
29		1	Spacer sleeve		
30	947542	1	Flange screw		
31	861221	1	Engine speed control		For double steering positions.
32	21471054	1	• Bracket		
33	819068	1	• Washer		
34	956078	2	• Cross recessed screw		
35	951674	2	• Lock nut		
36	861215	1	• Bracket		
37	955275	1	• Hexagon screw		
38	955971	2	• O-ring		
39	946035	1	• Lock nut		
40	843105	1	• Spacer washer		
41	951674	1	• Lock nut		
42	843105	3	• Spacer washer		
43	861214	1	• Bracket		
44	843109	1	• Bushing		
45	951674	1	• Lock nut		