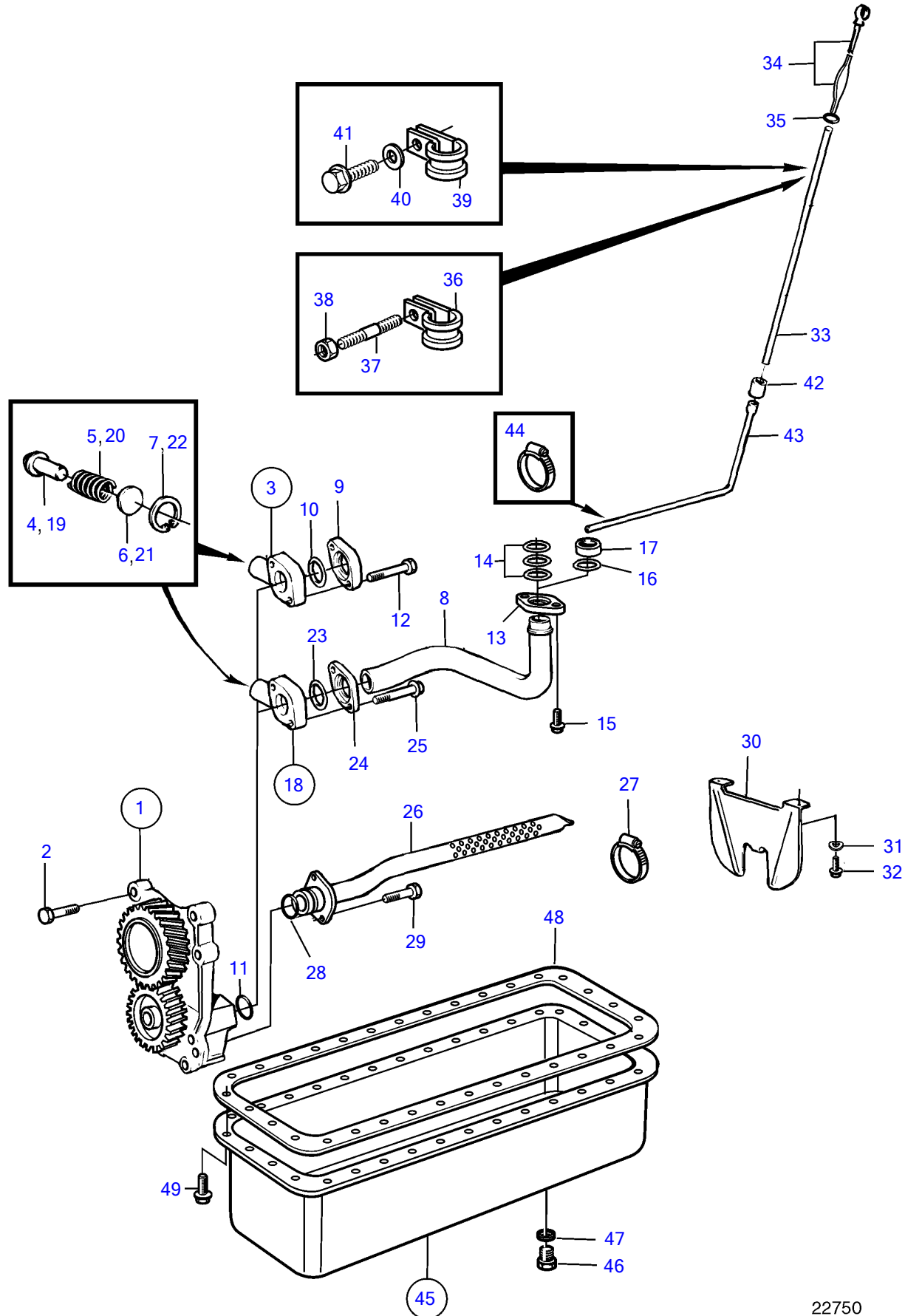


AD41L-A, AD41P-A, D41L-A, TAMD41H-A, TAMD41H-B, TAMD41P-A, TAMD41L-A, TAMD41M-A, TMD41L-A



AD41L-A, AD41P-A, D41L-A, TAMD41H-A, TAMD41H-B, TAMD41P-A, TAMD41L-A, TAMD41M-A, TMD41L-A

REF	PART NO.	QTY	DESCRIPTION	SEE SEC.	NOTES
1	860721	1	Oil pump		
			•		
			•	528	
2	948217	4	Flange screw		
3		1	Reducing valve		Repl by 3581308
4	471115	1	• Reduction valve		
5	1542257	1	• Spring		
6	948343	1	• Disc		
7	914506	1	• Snap ring		
8	860821	1	Delivery pipe		
9		1	Flange		TH=15mm, Repl by 3581206
10	1545271	1	Sealing ring		
11	469482	1	Sealing ring		
12	965184	2	Flange screw		L=100mm
13	1542248	1	Flange		
14		3	Sealing ring		Earlier production with 3 gaskets have been replaced by 1 ea gasket 980936 plus 1 ea gasket 471956., Early type
15	946173	2	Flange screw		
16	976039	1	O-ring		Late type, Obsolete part
17	471956	1	Gasket		Late type
18	3581308	1	Reducing valve		
			• Bulletin 44-32	44-32-EN	Reduction Valve D31, 41, 42
			• Bulletin 44-32A	44-32A-EN	Reduction Valve D31, 41, 42
19	471115	1	• Reduction valve		
20	1542257	1	• Spring		
21	948343	1	• Disc		
22	914506	1	• Snap ring		
23	976039	1	O-ring		Obsolete part
24	3581206	1	Flange		TH=8mm
25	965183	1	Flange screw		L=90mm
26	861064	1	Suction pipe		
27	943472	1	Hose clamp		
28	469483	2	Sealing ring		
29	965217	2	Flange screw		
30	860999	1	Baffle plate		
31	942385	2	Disc spring		
32	946440	2	Flange screw		
33	861100	1	Tube		
34	861087	1	Dipstick		
35	960155	1	O-ring		
36	949746	1	Clamp		Early type
37	984130	1	Stud		Early type
38	945408	1	Flange nut		Early type
39	949746	1	Clamp		Late type
40	955893	1	Washer		Late type
41	948746	1	Flange screw		Late type
42	843533	1	Rubber cushion		
43	861083	1	Suction pipe		
44	943469	1	Hose clamp		
45	861151	1	Sump		
46	18818	1	Gasket		Early type
47	948187	1	Plug		Early type
48	861251	1	Gasket		
49	946440	32	Flange screw		

7742700-22-1678

22750

Upd:2011-09-28

AD31L-A, AD31P-A, AD41L-A, AD41P-A, D41L-A, TAMD31L-A, TAMD31M-A, TAMD31P-A, TAMD31S-A, TAMD41H-A, TAMD41H-B, TAMD41P-A, TAMD41L

VOLVO
PENTA