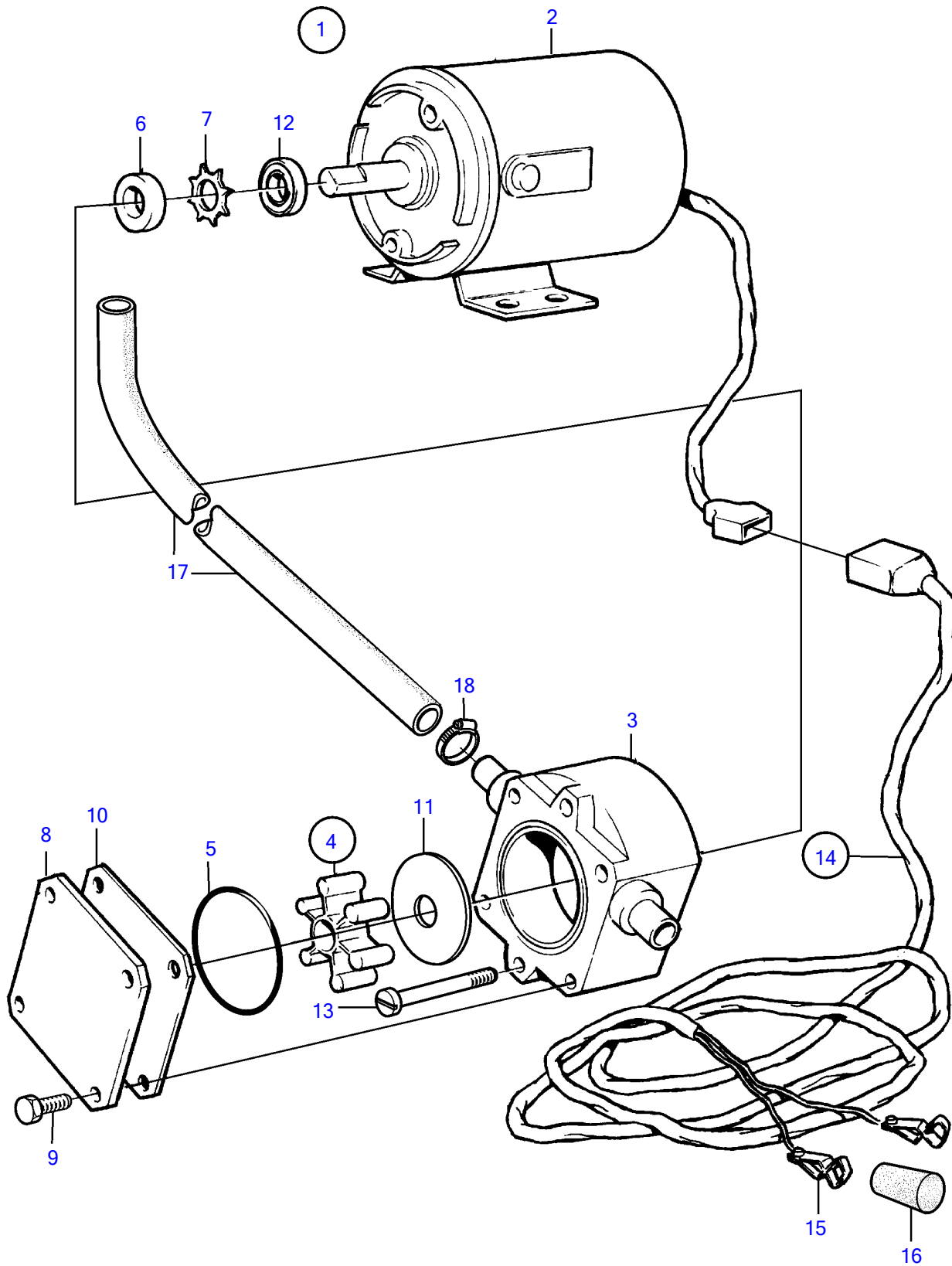


AD31L-A, AD31P-A, AD41L-A, AD41P-A, D41L-A, TAMD31L-A, TAMD31M-A, TAMD31P-A, TAMD31S-A, TAMD41H-A, TAMD41H-B, TAMD41P-A, TAMD41L-A, TAMD41M-A, TMD31L-A, TMD41L-A



AD31L-A, AD31P-A, AD41L-A, AD41P-A, D41L-A, TAMD31L-A, TAMD31M-A, TAMD31P-A, TAMD31S-A, TAMD41H-A, TAMD41H-B, TAMD41P-A, TAMD41L-A, TAMD41M-A, TMD31L-A, TMD41L-A

REF	PART NO.	QTY	DESCRIPTION	NOTES
1	843114	1	Oil bilge pump	12V
2	842855	1	• Oil bilge pump	
3	(844015)	1	• • Pump housing	Obsolete part
4	844022	1	• • Impeller kit	
5		1	• • • O-ring	
6		1	• • • Sealing ring	
7		1	• • • Lock ring	
8	844018	1	• • Cardboard tube	
9	844021	4	• • Screw	
10	844017	1	• • Wear washer	
11	844016	1	• • Wear washer	
12	844019	1	• • Deflector ring	
13	969518	2	• • 6 point socket screw	(847464)
14	843113	1	• Cable trunk	
15	844280	2	• • Clip	
16	(844279)	1	• • Isolation	Obsolete part, Black
	(844278)	1	• • Isolation	Obsolete part, Red
17	943707	X	• Hose	
18	943471	3	• Hose clamp	