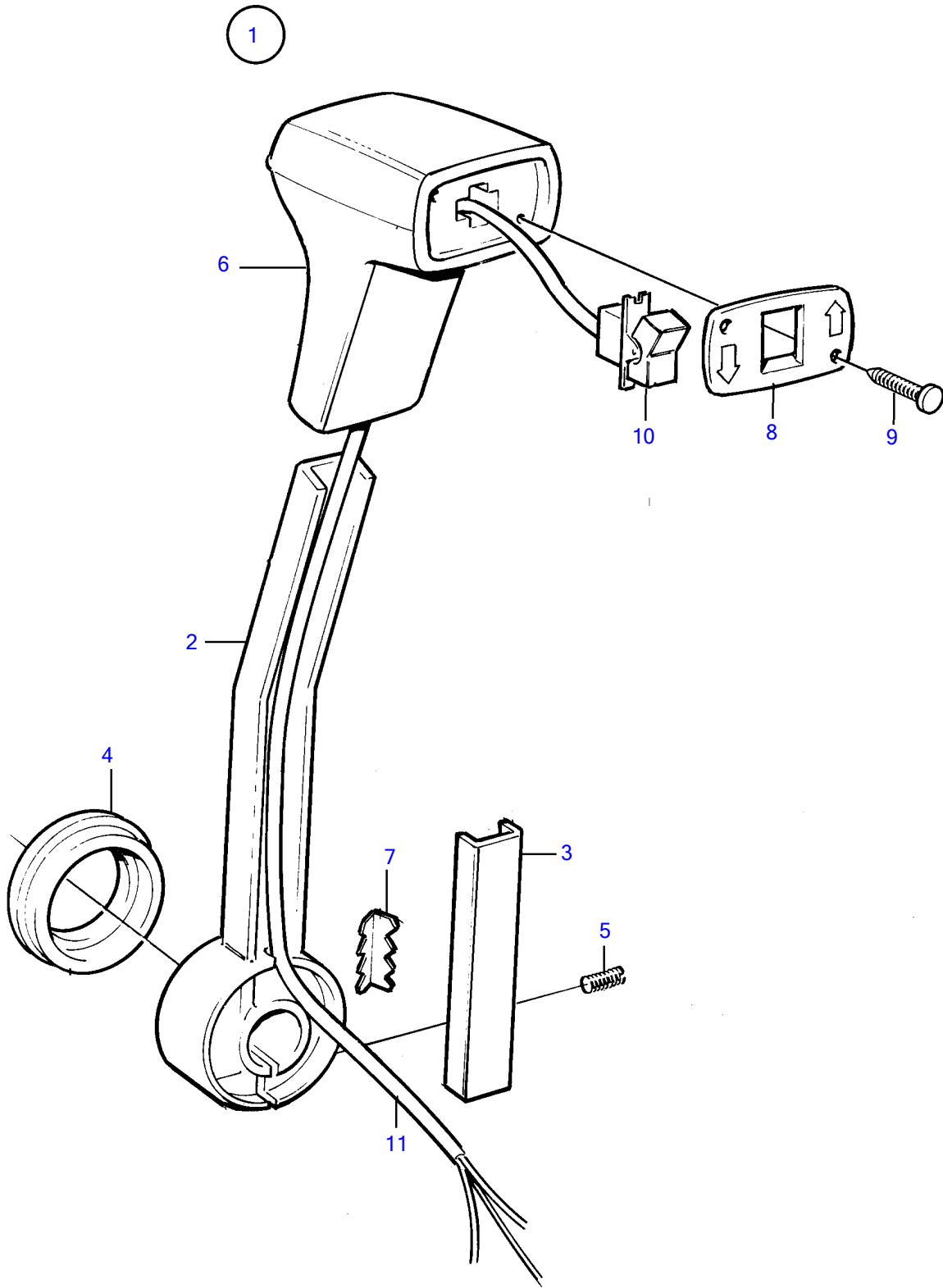


AD31L-A, AD31P-A, AD41L-A, AD41P-A, D41L-A, TAMD31L-A, TAMD31M-A, TAMD31P-A, TAMD31S-A, TAMD41H-A, TAMD41H-B, TAMD41P-A, TAMD41L-A, TAMD41M-A, TMD31L-A, TMD41L-A



AD31L-A, AD31P-A, AD41L-A, AD41P-A, D41L-A, TAMD31L-A, TAMD31M-A, TAMD31P-A, TAMD31S-A, TAMD41H-A, TAMD41H-B, TAMD41P-A, TAMD41L-A, TAMD41M-A, TMD31L-A, TMD41L-A

REF	PART NO.	QTY	DESCRIPTION
1	1140042	1	Hand lever
3	852991	1	• Rail
4	852995	1	• Ring
5	963678	1	• Hex. socket screw
6		1	• Handle
7	853000	1	• Striker plate
8	3818553	1	• Connector cap
9	853003	2	• Nail
10	853311	1	• Switch
11		1	• cables and terminals