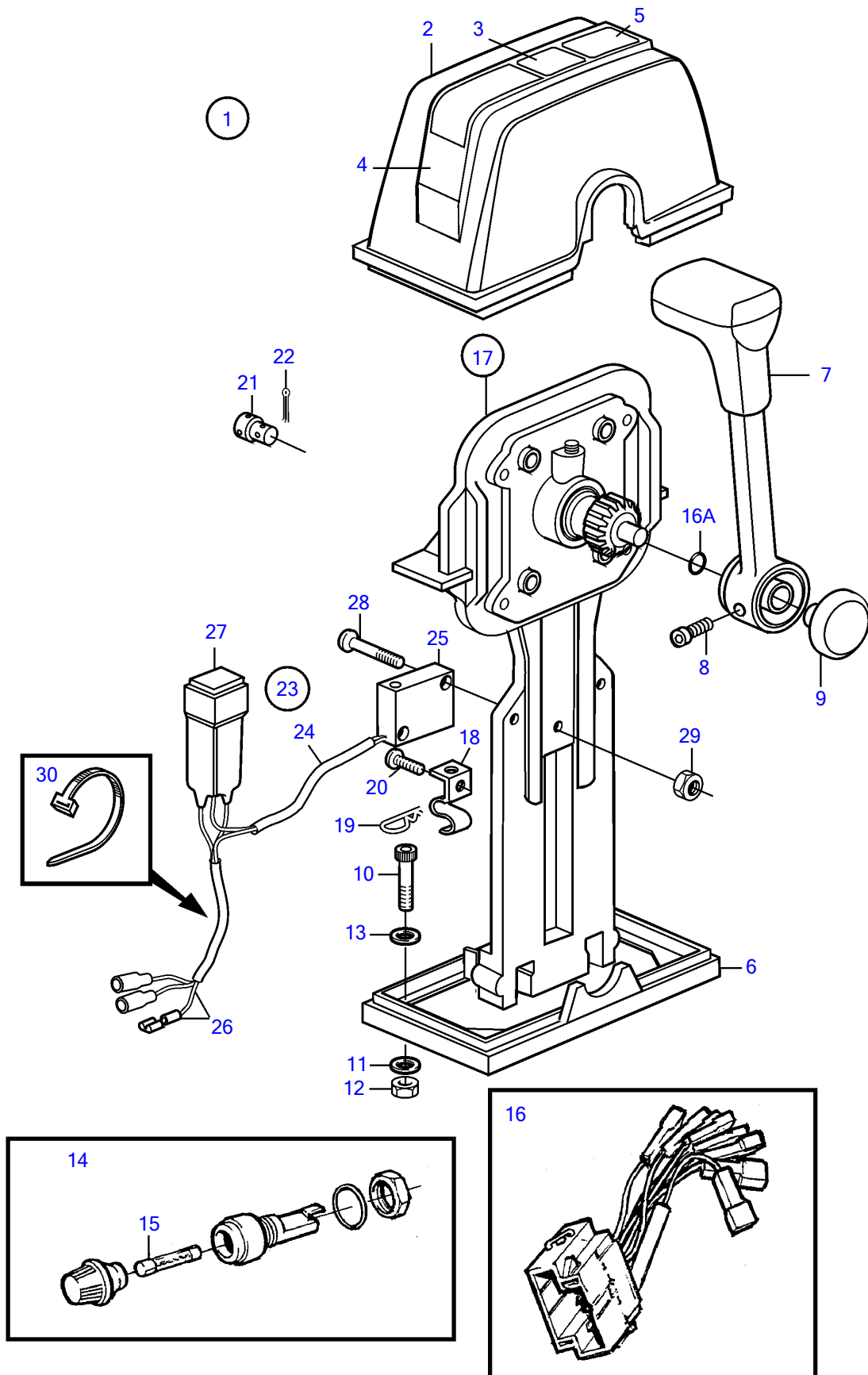


AD31L-A, AD31P-A, AD41L-A, AD41P-A, D41L-A, TAMD31L-A, TAMD31M-A, TAMD31P-A, TAMD31S-A, TAMD41H-A, TAMD41H-B, TAMD41P-A, TAMD41L-A, TAMD41M-A, TMD31L-A, TMD41L-A



AD31L-A, AD31P-A, AD41L-A, AD41P-A, D41L-A, TAMD31L-A, TAMD31M-A, TAMD31P-A, TAMD31S-A, TAMD41H-A, TAMD41H-B, TAMD41P-A, TAMD41L-A, TAMD41M-A, TMD31L-A, TMD41L-A

REF	PART NO.	QTY	DESCRIPTION	SEE SEC.	NOTES
1	1140043	1	Mounting kit		
2	1140046	1	• Cover		
3	851896	2	• • Decal		
4	(851892)	1	• • Crossbar		Obsolete part
5		1	• • Decal		
6	839474	1	• • Plate		
7	1140041	1	• Hand lever		
			• •		
			•	703	
8	963678	1	• • Hex. socket screw		
9	853004	1	• Push button		
10	947671	4	• Hex. socket screw		
11	960138	4	• Washer		
12	955780	4	• Hexagon nut		
13	940090	4	• Washer		
14	841073	1	• Fuse holder		
15	853342	2	• Fuse		5A
16	872444	1	• Adapter		
16A	925058	1	• O-ring		
17	851600	1	Control		
18	853423	1	• Retainer		
19	852924	1	• Clip		
20	839664	1	• Screw		
21	839638	1	• Cube		
22	17253	1	• Split pin		
23	855352	1	Neutral position con		
24	(839619)	1	• Cable kit		Obsolete part
25	850200	1	• • Toggle switch		
26		X	• • electrical materials	1963	
27	876037	1	• Relay kit		
28	946177	2	• Cross recessed screw		
29	947536	2	• Hexagon nut		
30	948211	X	• Cable tie		