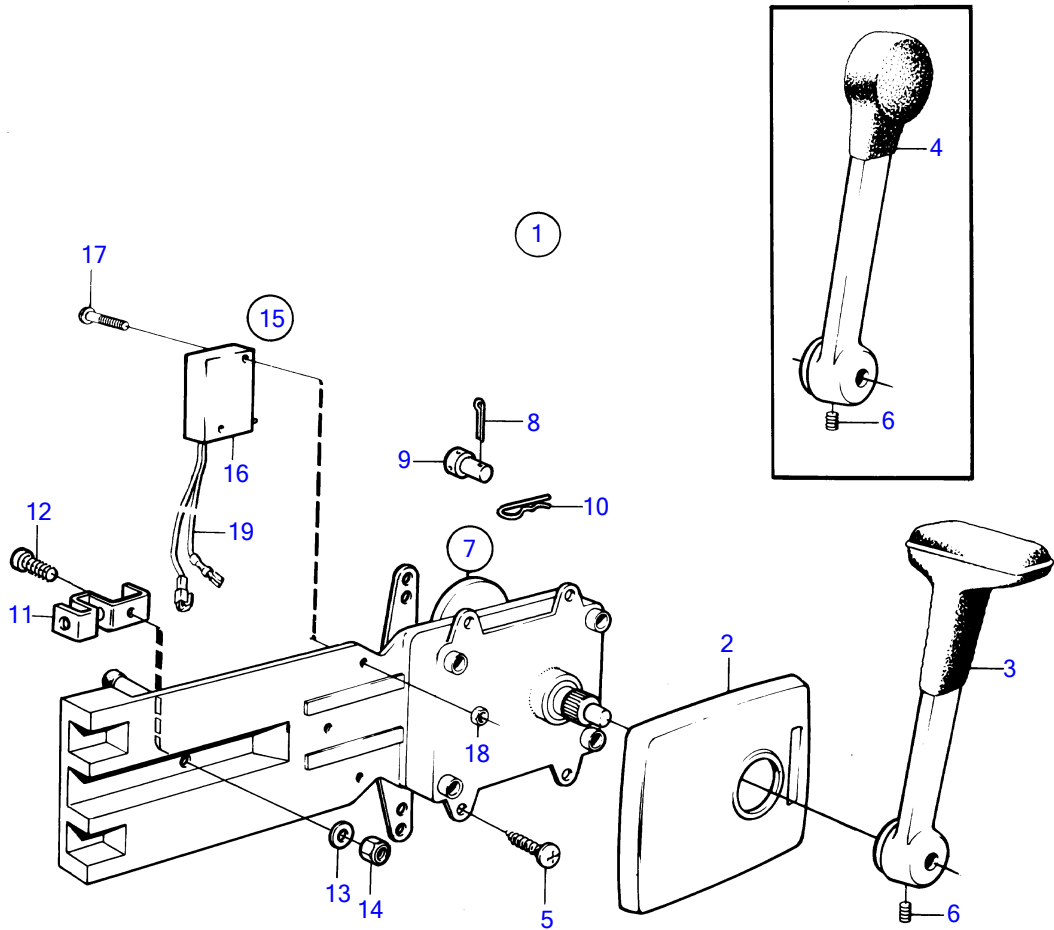


AD31L-A, AD31P-A, AD41L-A, AD41P-A, D41L-A, TAMD31L-A, TAMD31M-A, TAMD31P-A, TAMD31S-A, TAMD41H-A, TAMD41H-B, TAMD41P-A, TAMD41L-A, TAMD41M-A, TMD31L-A, TMD41L-A



9584

AD31L-A, AD31P-A, AD41L-A, AD41P-A, D41L-A, TAMD31L-A, TAMD31M-A, TAMD31P-A, TAMD31S-A, TAMD41H-A, TAMD41H-B, TAMD41P-A, TAMD41L-A, TAMD41M-A, TMD31L-A, TMD41L-A

REF	PART NO.	QTY	DESCRIPTION	SEE SEC.	NOTES
1	851604	1	Mounting kit		Repl by 1140092
2	1140048	1	• Cover		
3	839520	1	• Hand lever		
5	955142	4	• Cross recessed screw		
6	839693	1	• Lock screw		
7	851601	1	Control		
8	17253	2	• Split pin		
9	839638	2	• Cube		
10	852924	1	• Clip		
11	853423	1	• Retainer		
12	839664	1	• Screw		
13	940275	1	• Washer		
14	946435	1	• Lock nut		
15	855352	1	Neutral position con		
16	850200	1	• Toggle switch		
17	946177	2	• Cross recessed screw		
18	947536	2	• Hexagon nut		
19		X	• electrical materials	1963	