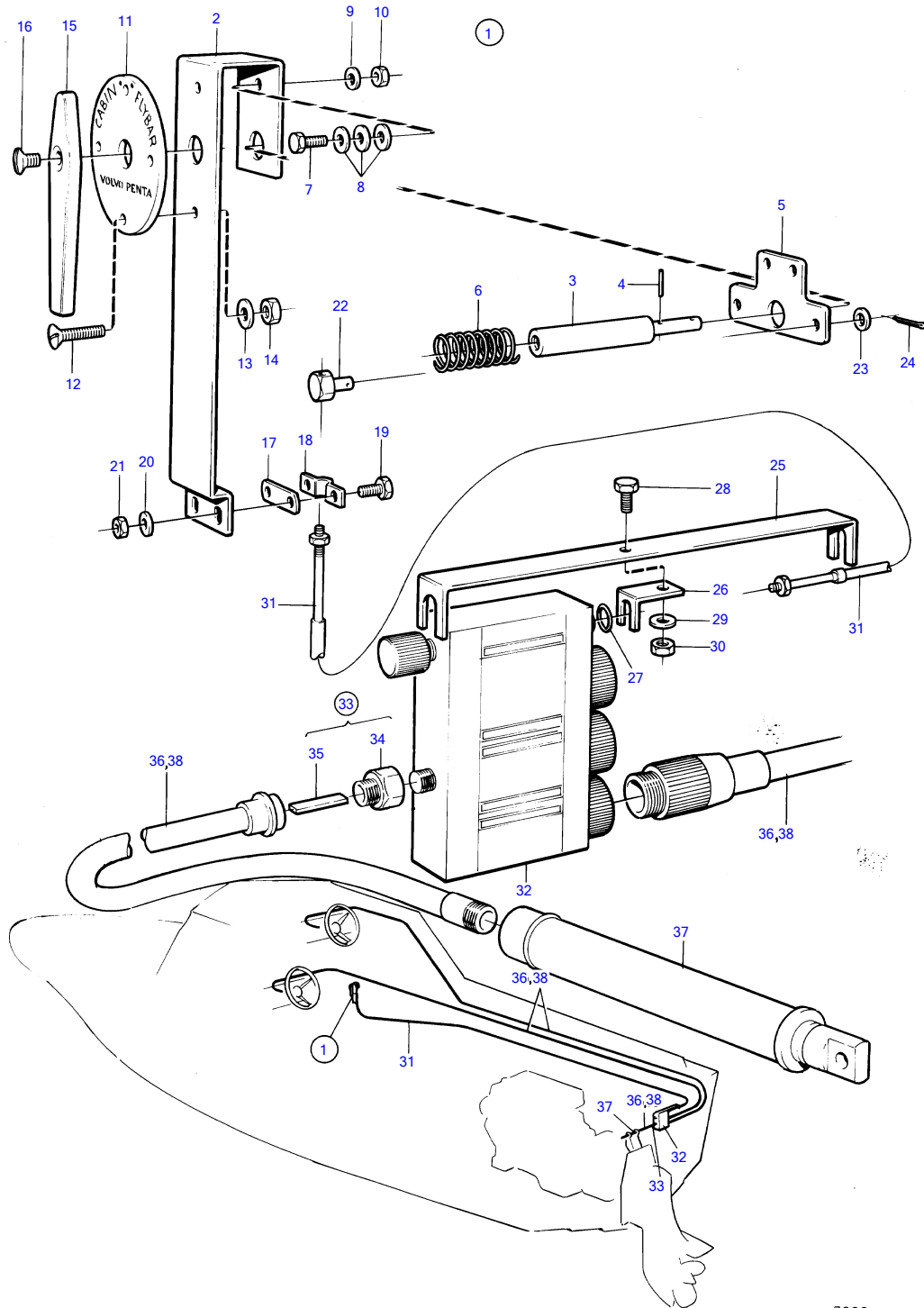


AD30A, AQAD30A, MD30A, TAMD30A, TMD30A



7669

AD30A, AQAD30A, MD30A, TAMD30A, TMD30A

REF	PART NO.	QTY	DESCRIPTION	SEE SEC.	NOTES
1	851744	1	Control		OBSOLETE PART
2	851902	1	• Bracket		OBSOLETE PART
3	851903	1	• Shaft		OBSOLETE PART
4	951947	2	• Spring pin		OBSOLETE PART
5	851904	1	• Lever		OBSOLETE PART
6	851901	1	• Compression spring		OBSOLETE PART
7	851940	1	• Hex. socket screw		OBSOLETE PART
8	960137	3	• Washer		
9	955945	1	• Toothed washer		
10	955779	1	• Hexagon nut		
11	851905	1	• Ring		OBSOLETE PART
12	851941	4	• Screw		L = 20 MM ALT, OBSOLETE PART
	851942	4	• Screw		L = 30 MM ALT, OBSOLETE PART
	851943	4	• Screw		L = 40 MM ALT, OBSOLETE PART
13	955946	4	• Toothed washer		OBSOLETE PART
14	955780	4	• Hexagon nut		
15	851906	1	• Handle		OBSOLETE PART
16	851997	1	• Screw		OBSOLETE PART
17	819068	1	• Washer		
18	21471054	1	• Bracket		
19	955243	2	• Hexagon screw		OBSOLETE PART
20	955946	2	• Toothed washer		OBSOLETE PART
21	955780	2	• Hexagon nut		
22	804312	1	• Cube		
23	940191	1	• Washer		
24	907834	1	• Split pin		(17276)
25	851907	1	• Bracket		OBSOLETE PART
26	851908	1	• Bracket		OBSOLETE PART
27	850418	1	• O-ring		
28	955243	1	• Hexagon screw		OBSOLETE PART
29	955946	1	• Toothed washer		OBSOLETE PART
30	955780	1	• Hexagon nut		
31		X	CONTROL CABLE		SEE GROUP 9
32	851743	1	Transfer gear		OBSOLETE PART
33	853107	1	Adapter kit		OBSOLETE PART
34		X	• ADAPTER		
35	853109	1	• Shaft		OBSOLETE PART
36		X	STEERING CABLE	18209	
				18210	
37		X	STEERING CYLINDER	18209	
				18210	
38		X	STEERING CABLE	18209	
				18210	