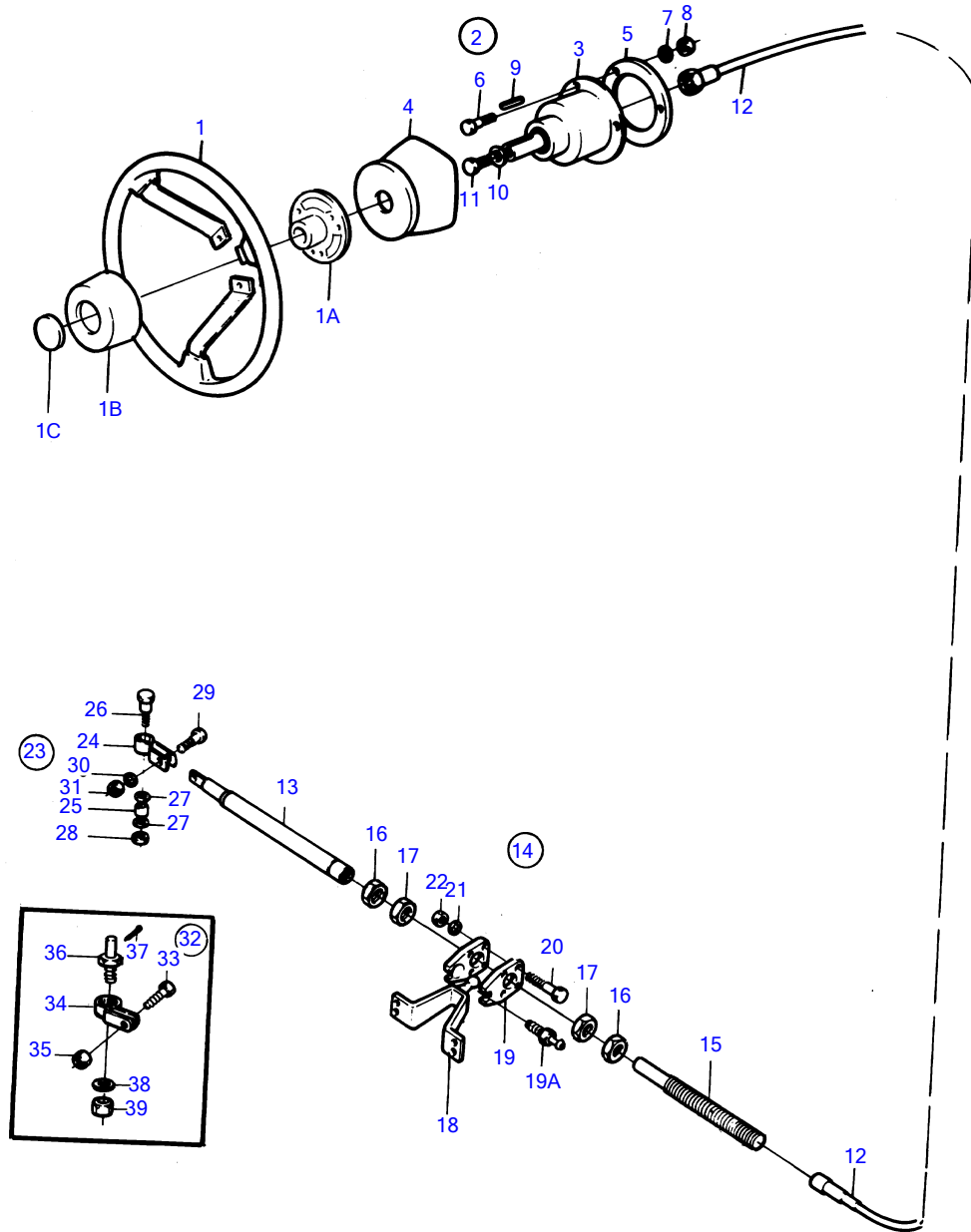


AD30A, AQAD30A, MD30A, TAMD30A, TMD30A



8522

AD30A, AQAD30A, MD30A, TAMD30A, TMD30A

| REF | PART NO. | QTY | DESCRIPTION | NOTES |
|-----|----------|-----|----------------------|--|
| 1 | 850936 | 1 | Steering wheel | |
| 1A | | 1 | • Steering wheel hub | |
| 1B | 828943 | 1 | • Steering wheel pad | OBSOLETE PART |
| 1C | 850938 | 1 | • Emblem | OBSOLETE PART |
| 2 | 851056 | 1 | Steering gear | OBSOLETE PART |
| 3 | | 1 | • STEERING GEAR | |
| 4 | 851057 | 1 | • Cover | OBSOLETE PART |
| 5 | 851069 | 1 | • Washer | OBSOLETE PART |
| 6 | 940101 | 3 | • Hexagon screw | |
| 7 | 941906 | 3 | • Spring washer | (955892) |
| 8 | 955781 | 3 | • Hexagon nut | |
| 9 | 851349 | 1 | • Key | OBSOLETE PART |
| 10 | 948823 | 1 | • Washer | OBSOLETE PART |
| 11 | 940148 | 1 | • Hexagon screw | |
| 12 | 852035 | X | Steering cable | L = 800 MM, OBSOLETE PART |
| | 851016 | X | Steering cable | L = 2500 MM, OBSOLETE PART REPL BY 851017 |
| | 851017 | X | Steering cable | L = 2750mm, OBSOLETE PART |
| | 851018 | X | Steering cable | L = 3000 MM, OBSOLETE PART |
| | 851019 | X | Steering cable | L = 3250mm, OBSOLETE PART REPL BY 851020 |
| | 851020 | X | Steering cable | L = 3500mm, OBSOLETE PART |
| | 851021 | X | Steering cable | L = 3750 MM, OBSOLETE PART |
| | 851022 | X | Steering cable | L = 4000 MM, OBSOLETE PART |
| | 851023 | X | Steering cable | L = 4250 MM, OBSOLETE PART |
| | 851024 | X | Steering cable | L = 4500 MM, OBSOLETE PART |
| | 851025 | X | Steering cable | L = 4750mm, OBSOLETE PART |
| | 851026 | X | Steering cable | L = 5000 MM, OBSOLETE PART |
| | 851027 | X | Steering cable | L = 5250mm, OBSOLETE PART |
| | 851028 | X | Steering cable | L = 5500 MM, OBSOLETE PART |
| | 851029 | X | Steering cable | L = 5750mm, OBSOLETE PART |
| | 851030 | X | Steering cable | L = 6000 MM, OBSOLETE PART |
| | 851031 | X | Steering cable | L = 6500mm, OBSOLETE PART |
| | 851032 | X | Steering cable | L = 7000 MM, OBSOLETE PART |
| | 851033 | X | Steering cable | L = 7500 MM, OBSOLETE PART |
| | 851034 | X | Steering cable | L = 8000 MM, OBSOLETE PART |
| | 851921 | X | Steering cable | L = 8500 MM, OBSOLETE PART |
| | 851922 | X | Steering cable | L = 9000 MM, OBSOLETE PART |
| | 851923 | X | Steering cable | L = 9500 MM, OBSOLETE PART |
| 13 | 851059 | 1 | Steering cylinder | FOR PORT MOUNTING., OBSOLETE PART |
| | 851147 | 1 | Steering cylinder | FOR STARBOARD MOUNTING., OBSOLETE PART |
| 14 | 853290 | 1 | Stern attachment | |
| 15 | 850771 | 1 | • Anchorage | |
| 16 | 850778 | 2 | • Nut | |
| 17 | 853306 | 2 | • Nut | |
| 18 | 851093 | 1 | • Bracket | |
| 19 | 828854 | 2 | • Anchorage | EARLY TYPE |
| | 828854 | 1 | • Anchorage | LATE TYPE |
| | 828857 | 1 | • Anchorage | LATE TYPE |
| 19A | 951739 | 1 | • Lubricating nipple | FOR 828857 |
| 20 | 940101 | 4 | • Hexagon screw | EARLY TYPE |
| | 940101 | 2 | • Hexagon screw | LATE TYPE |
| 21 | 941906 | 4 | • Spring washer | EARLY TYPE |
| | 941906 | 2 | • Spring washer | LATE TYPE |
| 22 | 963105 | 4 | • Lock nut | EARLY TYPE |
| | 963105 | 2 | • Lock nut | LATE TYPE |
| 23 | 851122 | 1 | • Ball joint kit | REPL BY 828924 |
| 24 | | 1 | • • BRACKET | |
| 25 | 851121 | 1 | • • Sleeve | OBSOLETE PART |
| 26 | 851117 | 1 | • • Shoulder screw | OBSOLETE PART |
| 27 | 942551 | 2 | • • Washer | |
| 28 | 966172 | 1 | • • Lock nut | OBSOLETE PART |
| 29 | 851118 | 1 | • • Shoulder screw | OBSOLETE PART |

7744050-64-18210

8522

Upd:2010-07-01

AD30A, AQAD30A, MD30A, TAMD30A, TMD30A, AD30, AQAD30, MD30, TAMD30, TMD30

VOLVO
PENTA

AD30A, AQAD30A, MD30A, TAMD30A, TMD30A

| REF | PART NO. | QTY | DESCRIPTION | NOTES |
|-----|----------|-----|-------------------|---------------|
| 30 | 941670 | 1 | • • Washer | |
| 31 | 966171 | 1 | • • Lock nut | |
| 32 | 828924 | 1 | • Ball joint kit | (851122) |
| 33 | 851118 | 1 | • Shoulder screw | OBSOLETE PART |
| 34 | | 1 | • BRACKET | |
| 35 | 966171 | 1 | • Lock nut | |
| 36 | | 1 | • SPLIT PIN SCREW | |
| 37 | 967707 | 1 | • Split pin | |
| 38 | 955897 | 1 | • Washer | |
| 39 | 963119 | 1 | • Lock nut | |