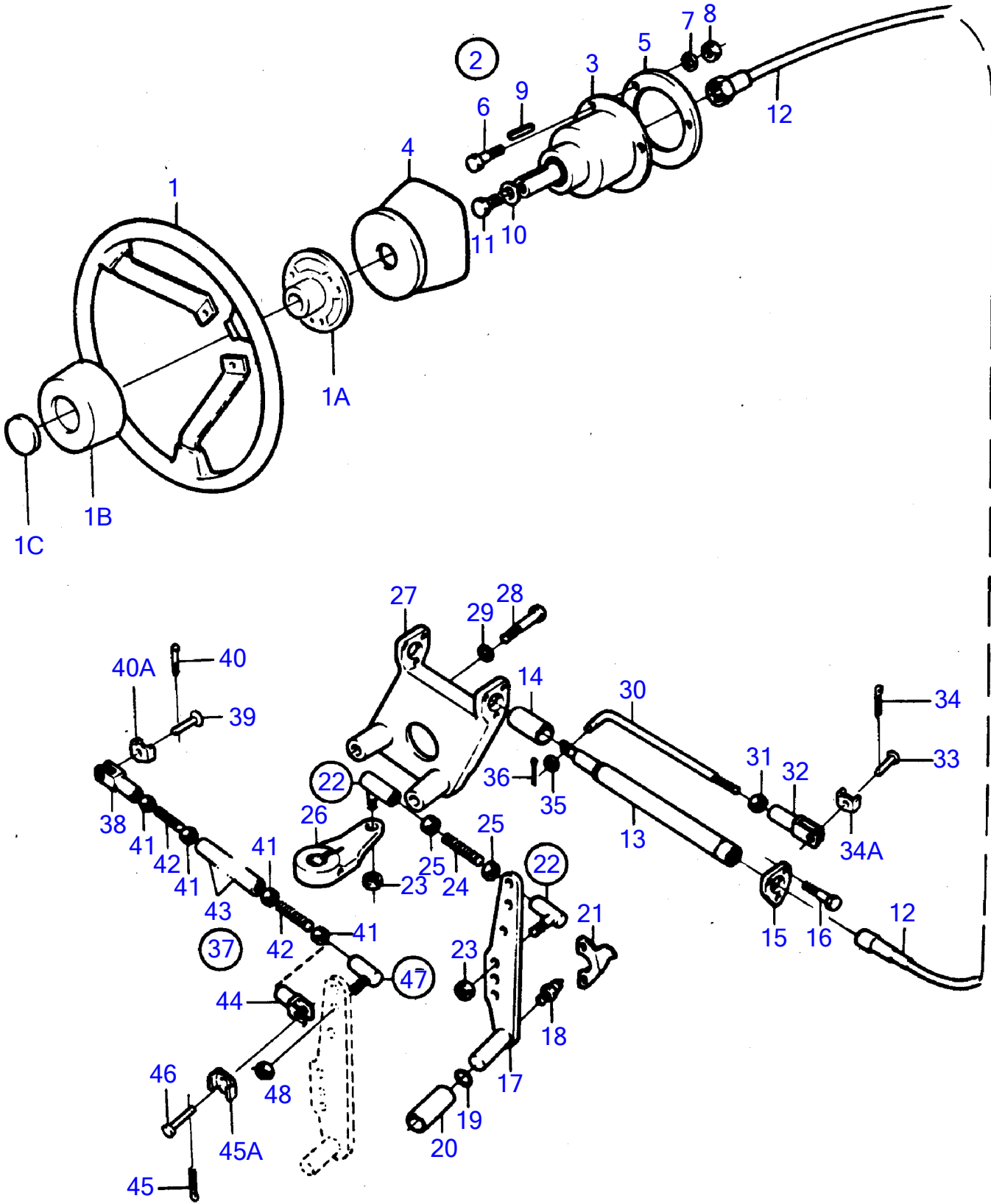


AQAD30A



## AQAD30A

REF	PART NO.	QTY	DESCRIPTION	NOTES
1	850936	1	Steering wheel	
1A		1	• Steering wheel hub	
1B	828943	1	• Steering wheel pad	OBSOLETE PART
1C	850938	1	• Emblem	OBSOLETE PART
2	851056	1	Steering gear	OBSOLETE PART
3		1	• STEERING GEAR	
4	851057	1	• Cover	OBSOLETE PART
5	851069	1	• Washer	OBSOLETE PART
6	940101	3	• Hexagon screw	
7	941906	3	• Spring washer	(955892)
8	955781	3	• Hexagon nut	
9	851349	1	• Key	OBSOLETE PART
10	948823	1	• Washer	OBSOLETE PART
11	940148	1	• Hexagon screw	
12	852035	X	Steering cable	L = 800 MM, OBSOLETE PART
	851016	X	Steering cable	OBSOLETE PART, L = 2500 MM REPL BY 851017
	851017	X	Steering cable	OBSOLETE PART, L = 2750mm
	851018	X	Steering cable	OBSOLETE PART, L = 3000 MM
	851019	X	Steering cable	OBSOLETE PART, L = 3250mm REPL BY 851020
	851020	X	Steering cable	OBSOLETE PART, L = 3500mm
	851021	X	Steering cable	OBSOLETE PART, L = 3750 MM
	851022	X	Steering cable	OBSOLETE PART, L = 4000 MM
	851023	X	Steering cable	OBSOLETE PART, L = 4250 MM
	851024	X	Steering cable	OBSOLETE PART, L = 4500 MM
	851025	X	Steering cable	OBSOLETE PART, L = 4750mm
	851026	X	Steering cable	OBSOLETE PART, L = 5000 MM
	851027	X	Steering cable	OBSOLETE PART, L = 5250mm
	851028	X	Steering cable	OBSOLETE PART, L = 5500 MM
	851029	X	Steering cable	OBSOLETE PART, L = 5750mm
	851030	X	Steering cable	OBSOLETE PART, L = 6000 MM
	851031	X	Steering cable	OBSOLETE PART, L = 6500mm
	851032	X	Steering cable	OBSOLETE PART, L = 7000 MM
	851033	X	Steering cable	OBSOLETE PART, L = 7500 MM
	851034	X	Steering cable	OBSOLETE PART, L = 8000 MM
	851921	X	Steering cable	OBSOLETE PART, L = 8500 MM
	851922	X	Steering cable	OBSOLETE PART, L = 9000 MM
	851923	X	Steering cable	OBSOLETE PART, L = 9500 MM
13	851059	1	Steering cylinder	OBSOLETE PART, FOR PORT MOUNTING.
	851147	1	Steering cylinder	OBSOLETE PART, FOR STARBOARD MOUNTING.
14	851094	1	• Spacer sleeve	OBSOLETE PART
15	850961	1	• Washer	OBSOLETE PART
16	851319	3	• Screw	OBSOLETE PART
17	851385	1	Link arm	OBSOLETE PART
18	914169	1	Lubricating nipple	
19	955906	1	Washer	
20	850653	1	Bushing	SEE GROUP 4A
21	850489	1	Stop arm	OBSOLETE PART
22	875772	2	Ball joint kit	OBSOLETE PART
23	851326	2	• Nut	
24	850736	1	Control rod	
25	940152	2	Hexagon nut	
26	850488	1	Spindle arm	SEE GROUP 4A
27	850958	1	Guide bracket	OBSOLETE PART
28	955541	2	Hexagon screw	
29	942336	2	Spring washer	
30	850478	1	Link rod	OBSOLETE PART
31	940154	1	Hexagon nut	
32	956511	1	Fork	OBSOLETE PART
33	913158	1	Clevis pin	
34	907856	1	Split pin	
34A	853160	1	• Lock washer	DRIVE UNIT 290

## AQAD30A

REF	PART NO.	QTY	DESCRIPTION	NOTES
35	940097	1	Washer	
36	964960	1	Split pin	
37	828913	1	Link stay	OBSOLETE PART, ONLY FOR TWIN INSTALLATION., ADJUSTABLE BETWEEN 610-1000 MM
	850776	1	Tie rod	OBSOLETE PART, ONLY FOR TWIN INSTALLATION., ADJUSTABLE BETWEEN 540-800MM., REPL BY 828913
38	956511	1	• Fork	OBSOLETE PART
39	913158	1	• Clevis pin	
40	907856	1	• Split pin	
40A	853160	1	• Lock washer	DRIVE UNIT 290
41	940154	4	• Hexagon nut	
42	839577	2	• Rod	OBSOLETE PART
43	839576	1	• Tube	OBSOLETE PART, L = 560 MM
	850775	1	• Tube	OBSOLETE PART, ONLY INCLUDED IN 850776., L = 360 MM
44	956511	1	• Fork	OBSOLETE PART
45	907856	1	• Split pin	
45A	853160	1	• Lock washer	DRIVE UNIT 290
46	913158	1	• Clevis pin	
47	814152	1	• Ball joint	OBSOLETE PART
48	950386	1	• • Lock nut	ONLY INCLUDED IN 850673.