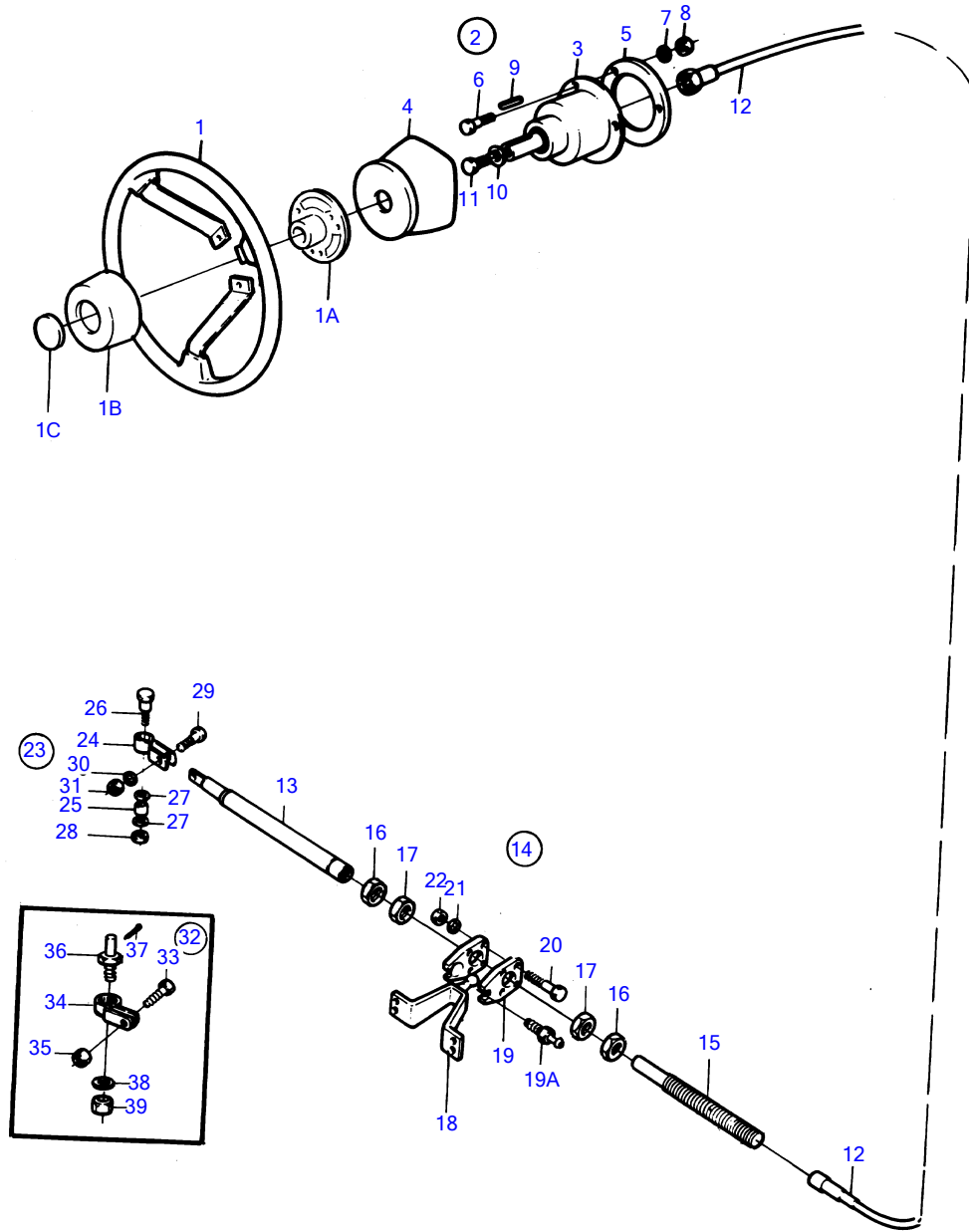


AD30A, AQAD30A, MD30A, TAMD30A, TMD30A



8522

AD30A, AQAD30A, MD30A, TAMD30A, TMD30A

REF	PART NO.	QTY	DESCRIPTION	NOTES
1	850936	1	Steering wheel	
1A		1	• Steering wheel hub	
1B	828943	1	• Steering wheel pad	OBSOLETE PART
1C	850938	1	• Emblem	OBSOLETE PART
2	851056	1	Steering gear	OBSOLETE PART
3		1	• STEERING GEAR	
4	851057	1	• Cover	OBSOLETE PART
5	851069	1	• Washer	OBSOLETE PART
6	940101	3	• Hexagon screw	
7	941906	3	• Spring washer	(955892)
8	955781	3	• Hexagon nut	
9	851349	1	• Key	OBSOLETE PART
10	948823	1	• Washer	OBSOLETE PART
11	940148	1	• Hexagon screw	
12	852035	X	Steering cable	L = 800 MM, OBSOLETE PART
	851016	X	Steering cable	L = 2500 MM, OBSOLETE PART REPL BY 851017
	851017	X	Steering cable	L = 2750mm, OBSOLETE PART
	851018	X	Steering cable	L = 3000 MM, OBSOLETE PART
	851019	X	Steering cable	L = 3250mm, OBSOLETE PART REPL BY 851020
	851020	X	Steering cable	L = 3500mm, OBSOLETE PART
	851021	X	Steering cable	L = 3750 MM, OBSOLETE PART
	851022	X	Steering cable	L = 4000 MM, OBSOLETE PART
	851023	X	Steering cable	L = 4250 MM, OBSOLETE PART
	851024	X	Steering cable	L = 4500 MM, OBSOLETE PART
	851025	X	Steering cable	L = 4750mm, OBSOLETE PART
	851026	X	Steering cable	L = 5000 MM, OBSOLETE PART
	851027	X	Steering cable	L = 5250mm, OBSOLETE PART
	851028	X	Steering cable	L = 5500 MM, OBSOLETE PART
	851029	X	Steering cable	L = 5750mm, OBSOLETE PART
	851030	X	Steering cable	L = 6000 MM, OBSOLETE PART
	851031	X	Steering cable	L = 6500mm, OBSOLETE PART
	851032	X	Steering cable	L = 7000 MM, OBSOLETE PART
	851033	X	Steering cable	L = 7500 MM, OBSOLETE PART
	851034	X	Steering cable	L = 8000 MM, OBSOLETE PART
	851921	X	Steering cable	L = 8500 MM, OBSOLETE PART
	851922	X	Steering cable	L = 9000 MM, OBSOLETE PART
	851923	X	Steering cable	L = 9500 MM, OBSOLETE PART
13	851059	1	Steering cylinder	FOR PORT MOUNTING., OBSOLETE PART
	851147	1	Steering cylinder	FOR STARBOARD MOUNTING., OBSOLETE PART
14	853290	1	Stern attachment	
15	850771	1	• Anchorage	
16	850778	2	• Nut	
17	853306	2	• Nut	
18	851093	1	• Bracket	
19	828854	2	• Anchorage	EARLY TYPE
	828854	1	• Anchorage	LATE TYPE
	828857	1	• Anchorage	LATE TYPE
19A	951739	1	• Lubricating nipple	FOR 828857
20	940101	4	• Hexagon screw	EARLY TYPE
	940101	2	• Hexagon screw	LATE TYPE
21	941906	4	• Spring washer	EARLY TYPE
	941906	2	• Spring washer	LATE TYPE
22	963105	4	• Lock nut	EARLY TYPE
	963105	2	• Lock nut	LATE TYPE
23	851122	1	• Ball joint kit	REPL BY 828924
24		1	• • BRACKET	
25	851121	1	• • Sleeve	OBSOLETE PART
26	851117	1	• • Shoulder screw	OBSOLETE PART
27	942551	2	• • Washer	
28	966172	1	• • Lock nut	OBSOLETE PART
29	851118	1	• • Shoulder screw	OBSOLETE PART

7744050-64-18210

8522

Upd:2010-07-01

AD30A, AQAD30A, MD30A, TAMD30A, TMD30A, AD30, AQAD30, MD30, TAMD30, TMD30

AD30A, AQAD30A, MD30A, TAMD30A, TMD30A

REF	PART NO.	QTY	DESCRIPTION	NOTES
30	941670	1	• • Washer	
31	966171	1	• • Lock nut	
32	828924	1	• Ball joint kit	(851122)
33	851118	1	• Shoulder screw	OBSOLETE PART
34		1	• BRACKET	
35	966171	1	• Lock nut	
36		1	• SPLIT PIN SCREW	
37	967707	1	• Split pin	
38	955897	1	• Washer	
39	963119	1	• Lock nut	