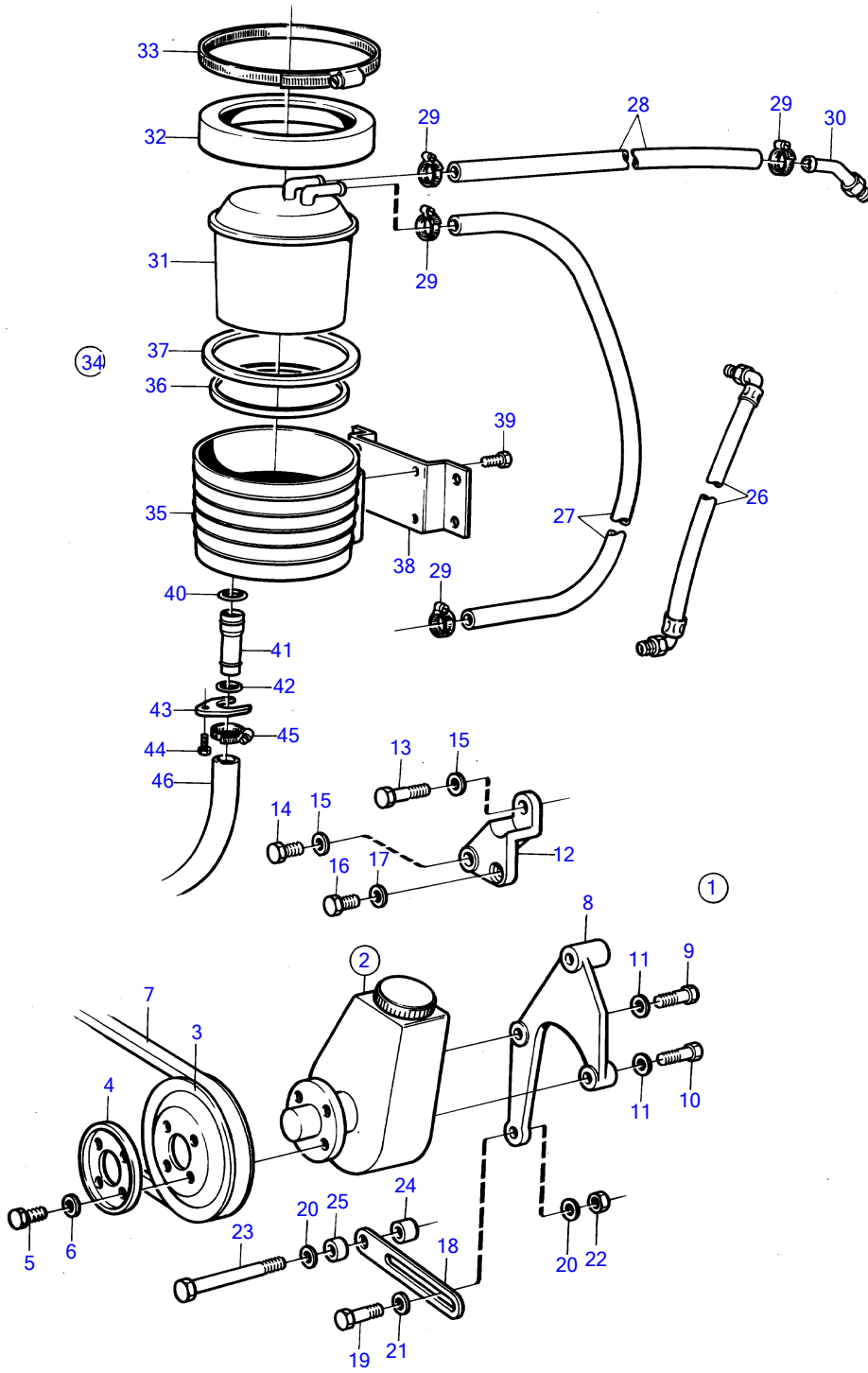


AQAD30A



8370

AQAD30A

REF	PART NO.	QTY	DESCRIPTION	SEE SEC.	NOTES
1	852455	1	Power steering pump		OBSOLETE PART
2	1276495	1	• Pump		REPL BY 1273595
			• •	18216	
	1273595	1	• Pump		REPL BY 1273972
			• •	18216	
	1273972	1	• Power steering pump		REPL BY 1359116
			• •	18216	
	1359116	1	• Power steering pump		
			•	18217	
3	1219961	1	• V-belt pulley		
4	464541	1	• Washer		
5	955293	4	• Hexagon screw		
6	941907	4	• Spring washer		
7	966383	1	• V-belt		(958317)
8	851540	1	• Bracket		OBSOLETE PART
9	955318	1	• Hexagon screw		
10	955319	1	• Hexagon screw		
11	941908	2	• Spring washer		
12	843057	1	• Bracket		
13	955302	1	• Hexagon screw		
14	940129	1	• Hexagon screw		
15	941907	2	• Spring washer		
16	955701	1	• Hexagon screw		
17	955896	1	• Washer		
18	807186	1	• Tensioner		
19	955298	1	• Hexagon screw		
20	941907	2	• Spring washer		
21	960141	1	• Washer		
22	963106	1	• Lock nut		
23	940129	1	• Hexagon screw		
24	842350	1	• Spacer sleeve		
25	807184	1	• Spacer sleeve		
26	851585	1	• Pressure hose	18214	OBSOLETE PART
27	838311	X	• Return hose		(1228399) L = 630mm
28	838311	X	• Return hose		(1228399) L = 1850mm
29	943470	4	• Hose clamp		
30	851529	1	• Hose coupling	18214	OBSOLETE PART
31	852142	1	• Oil cooler		
32	852148	1	• Plastic nut		
33	949000	1	• Hose clamp		
34	838416	1	Hydraulic steering		OBSOLETE PART
35	845338	1	• Strainer housing		
36	838977	1	• Sealing		(845329)
37	838413	1	• Retainer		OBSOLETE PART
38	845960	1	• Bracket		
39	940199	4	• Hexagon screw		
40	845354	2	• Sealing ring		
41	847002	2	• Hose connection		OBSOLETE PART
42	847017	2	• Pipe retainer		
43	847018	2	• Brace		
44	940199	2	• Hexagon screw		
45	961669	4	• Hose clamp		
46		X	HOSE		