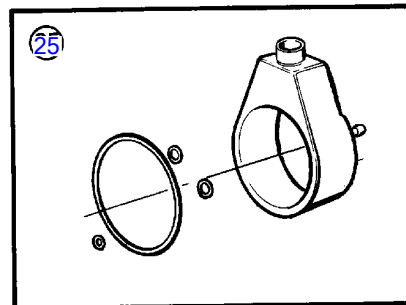
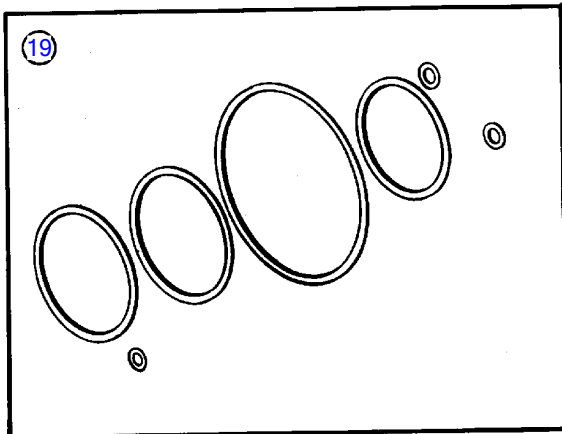
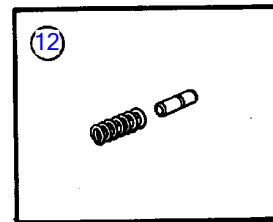
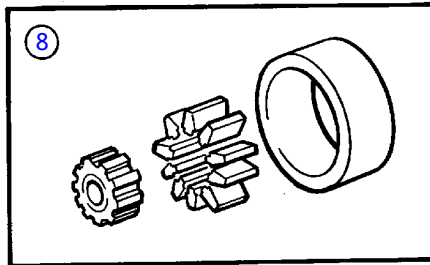
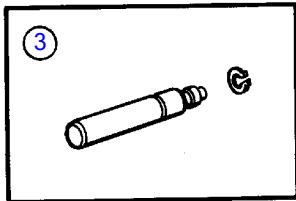
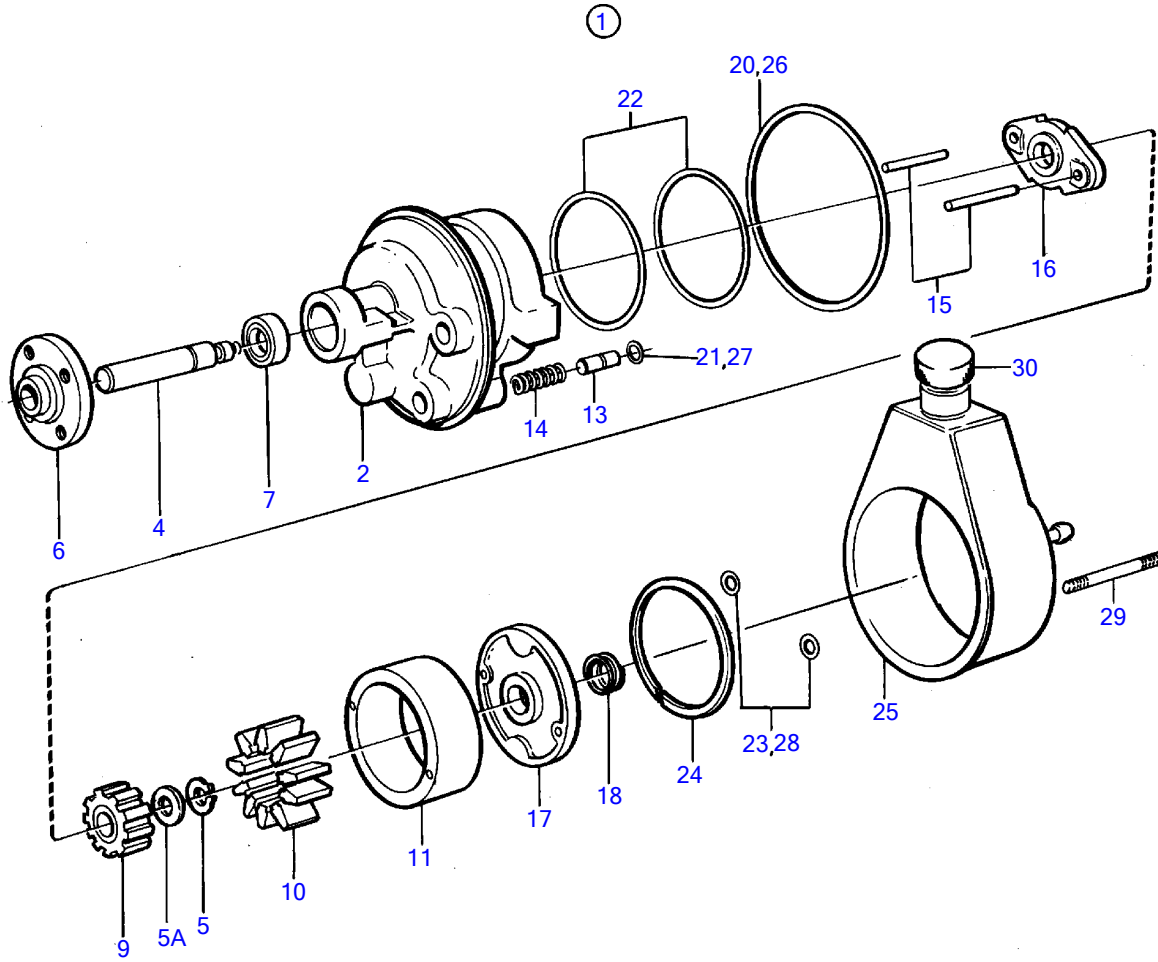


AQAD30A



7222

## AQAD30A

REF	PART NO.	QTY	DESCRIPTION	NOTES
1	1276495	1	Pump	REPL BY 1273972
2		1	• HOUSING	
3	1272417	1	• Drive shaft kit	OBSOLETE PART
4		1	• • DRIVE SHAFT	
5	1272423	1	• • Lock ring	OBSOLETE PART
5A	1272634	X	• Adjusting washer	TH = 0,05 MM, OBSOLETE PART
5	1272635	X	• Adjusting washer	TH = 0.1mm, OBSOLETE PART
	1272636	X	• Adjusting washer	TH = 0.2mm, OBSOLETE PART
	1272637	X	• Adjusting washer	TH = 0.3mm, OBSOLETE PART
6		1	• HUB	
7	1272412	1	• Seal	
8	1272415	1	• Rotor kit	OBSOLETE PART
9		1	• ROTOR	
10		1	• VANE	
11		1	• RING	
12	1272419	1	• Valve kit	OBSOLETE PART
13		1	• • VALVE	
14		1	• • SPRING	
15	1272427	1	• Pin	OBSOLETE PART
16	1272428	1	• Plate	OBSOLETE PART
17	1272429	1	• Plate	OBSOLETE PART
18	1272430	1	• Spring	OBSOLETE PART
19	1272411	1	• Sealing kit	REPL BY 855735
20		1	• • O-RING	
21		1	• • O-RING	
22		2	• • O-RING	
23		2	• • O-RING	
24	1272431	1	• • Lock ring	OBSOLETE PART
25	1272422	1	• Oil reservoir kit	
26		1	• • O-RING	
27		1	• • O-RING	
28		1	• • O-RING	
30		1	• COVER	