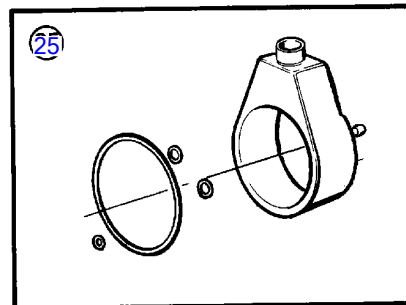
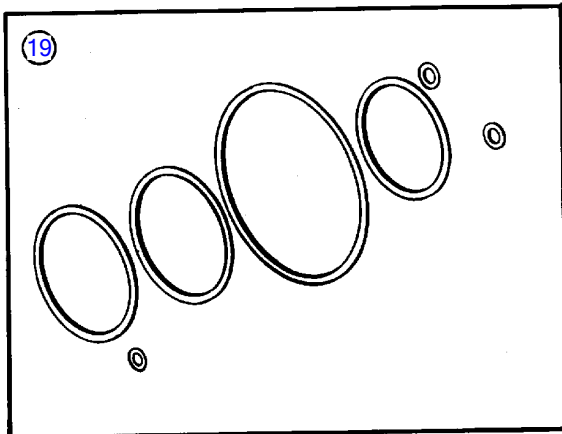
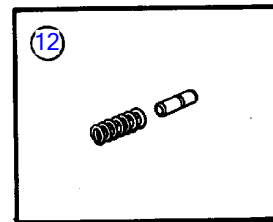
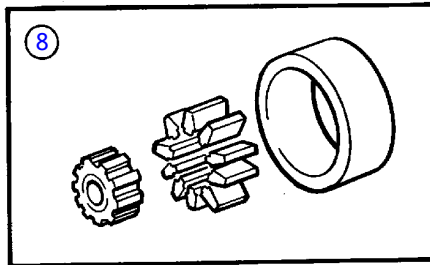
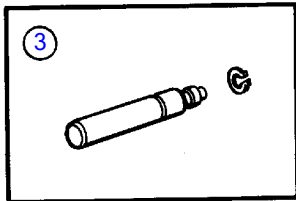
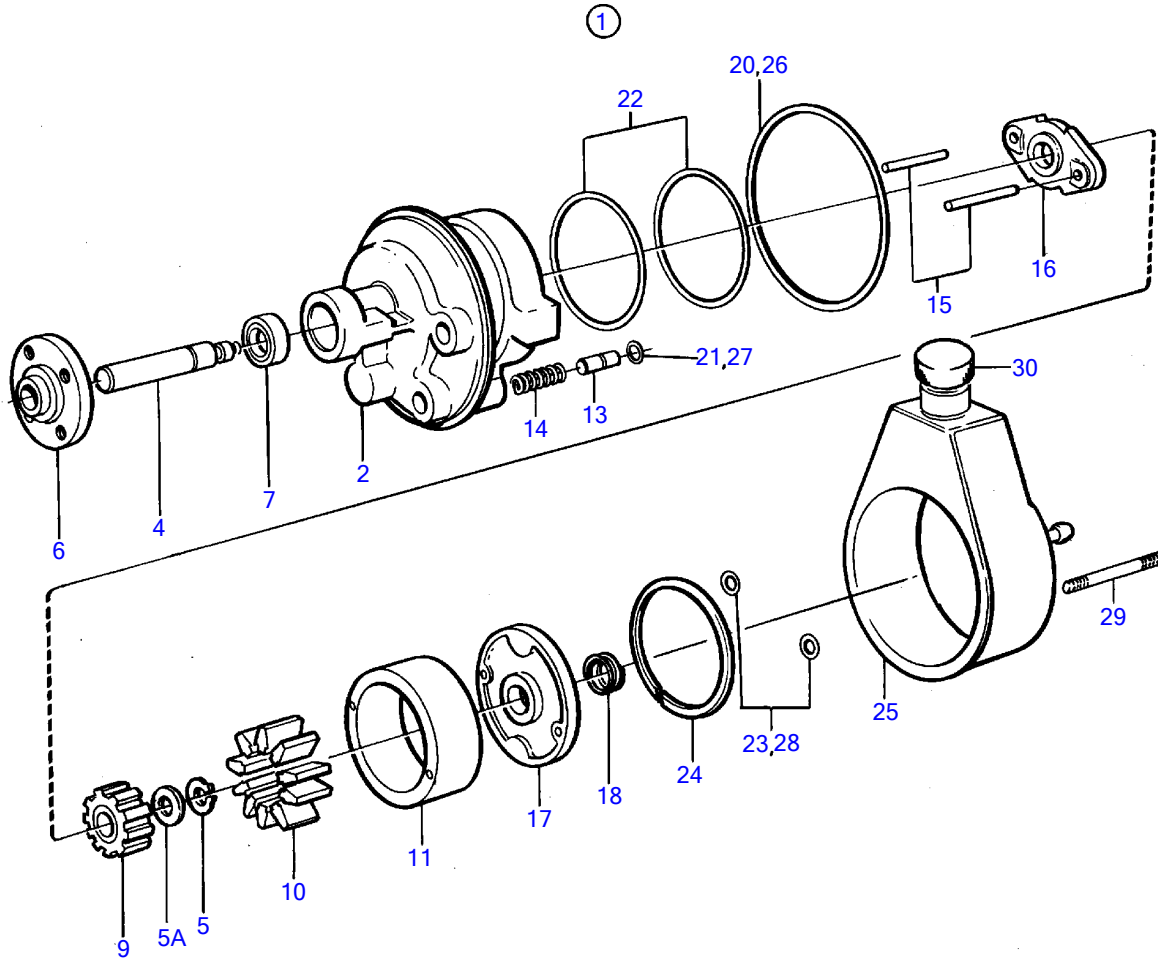


AQAD30A



7222

AQAD30A

| REF | PART NO. | QTY | DESCRIPTION | NOTES |
|-----|----------|-----|---------------------|-----------------------------|
| 1 | 1273595 | 1 | Pump | REPL BY 1273972 |
| 2 | | 1 | • HOUSING | |
| 3 | 1272417 | 1 | • Drive shaft kit | OBSOLETE PART |
| 4 | | 1 | • • DRIVE SHAFT | |
| 5 | 1272423 | 1 | • • Lock ring | OBSOLETE PART |
| 5A | 1272634 | X | • Adjusting washer | TH = 0,05 MM, OBSOLETE PART |
| 5 | 1272635 | X | • Adjusting washer | TH = 0.1mm, OBSOLETE PART |
| | 1272636 | X | • Adjusting washer | TH = 0.2mm, OBSOLETE PART |
| | 1272637 | X | • Adjusting washer | TH = 0.3mm, OBSOLETE PART |
| 6 | | 1 | • HUB | |
| 7 | 1272412 | 1 | • Seal | |
| 8 | 1272415 | 1 | • Rotor kit | OBSOLETE PART |
| 9 | | 1 | • ROTOR | |
| 10 | | 1 | • VANE | |
| 11 | | 1 | • RING | |
| 12 | 1272419 | 1 | • Valve kit | OBSOLETE PART |
| 13 | | 1 | • • VALVE | |
| 14 | | 1 | • • SPRING | |
| 15 | 1272427 | 1 | • Pin | OBSOLETE PART |
| 16 | 1272428 | 1 | • Plate | OBSOLETE PART |
| 17 | 1272429 | 1 | • Plate | OBSOLETE PART |
| 18 | 1272430 | 1 | • Spring | OBSOLETE PART |
| 19 | 1272411 | 1 | • Sealing kit | REPL BY 855735 |
| 20 | | 1 | • • O-RING | |
| 21 | | 1 | • • O-RING | |
| 22 | | 2 | • • O-RING | |
| 23 | | 2 | • • O-RING | |
| 24 | 1272431 | 1 | • • Lock ring | OBSOLETE PART |
| 25 | 1272422 | 1 | • Oil reservoir kit | |
| 26 | | 1 | • • O-RING | |
| 27 | | 1 | • • O-RING | |
| 28 | | 1 | • • O-RING | |
| 30 | | 1 | • COVER | |