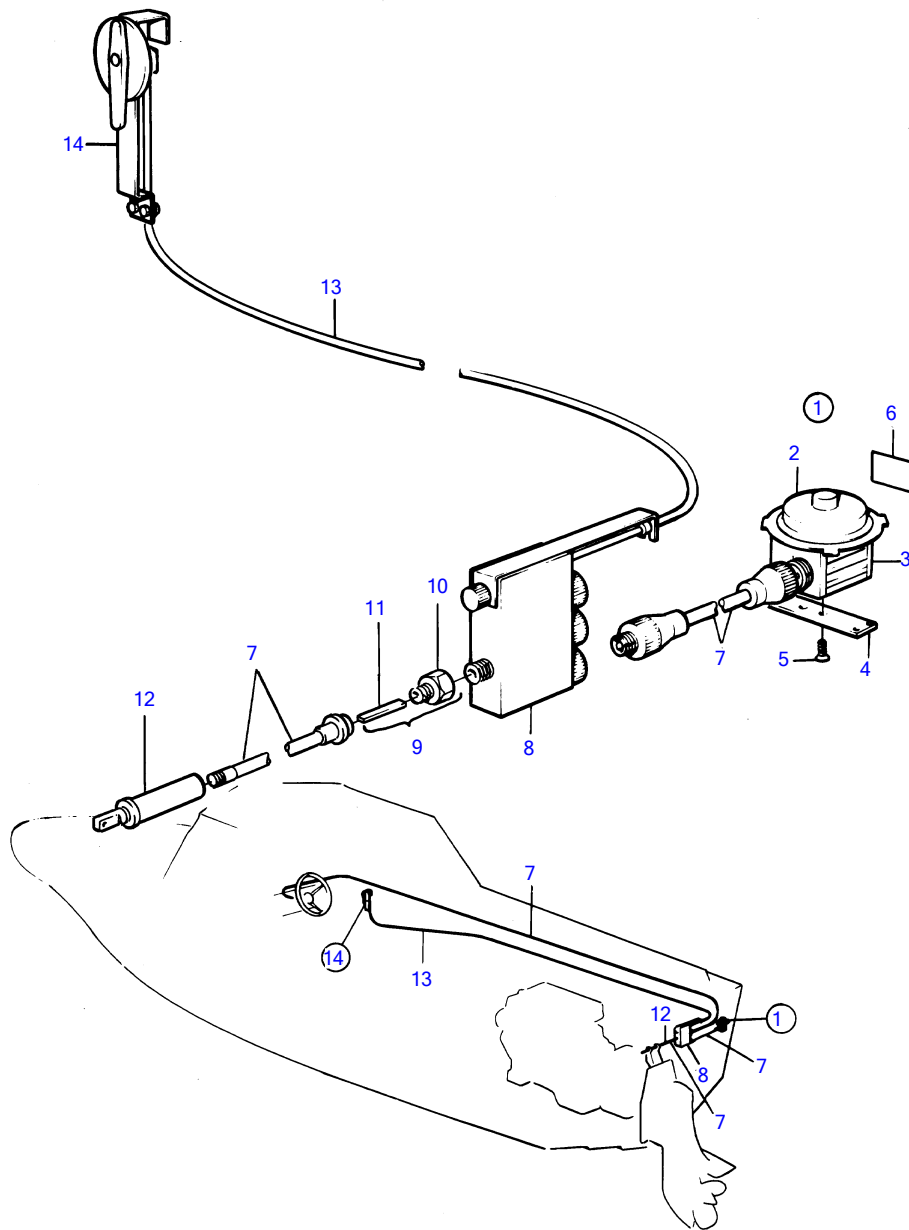


AD30A, AQAD30A, MD30A, TAMD30A, TMD30A



7666

AD30A, AQAD30A, MD30A, TAMD30A, TMD30A

REF	PART NO.	QTY	DESCRIPTION	SEE SEC.	NOTES
1	852031	1	Drive unit		OBSOLETE PART
2	852032	1	• Electrical motor		12V, OBSOLETE PART
3		1	• GEAR		
4		1	• BRACKET		
5		2	• SCREW		
6		1	• DECAL		
7	825764	X	Choke control	18209	
			Bulletin P-27-6-2	P-27-6-2-EN	End of Production - Stop Cables
7				18210	
8	851743	1	Transfer gear	18209	OBSOLETE PART
9	853107	1	Adapter kit		OBSOLETE PART
10		1	• ADAPTER	18210	
11	853109	1	• Shaft		OBSOLETE PART
12		1	STEERING CYLINDER	18213	
13	825765	X	Choke control		L = 3300 MMALT
			Bulletin P-27-6-2	P-27-6-2-EN	End of Production - Stop Cables
13	825764	X	Choke control		L = 6900 MMALT
			Bulletin P-27-6-2	P-27-6-2-EN	End of Production - Stop Cables
14	851744	1	Control		OBSOLETE PART