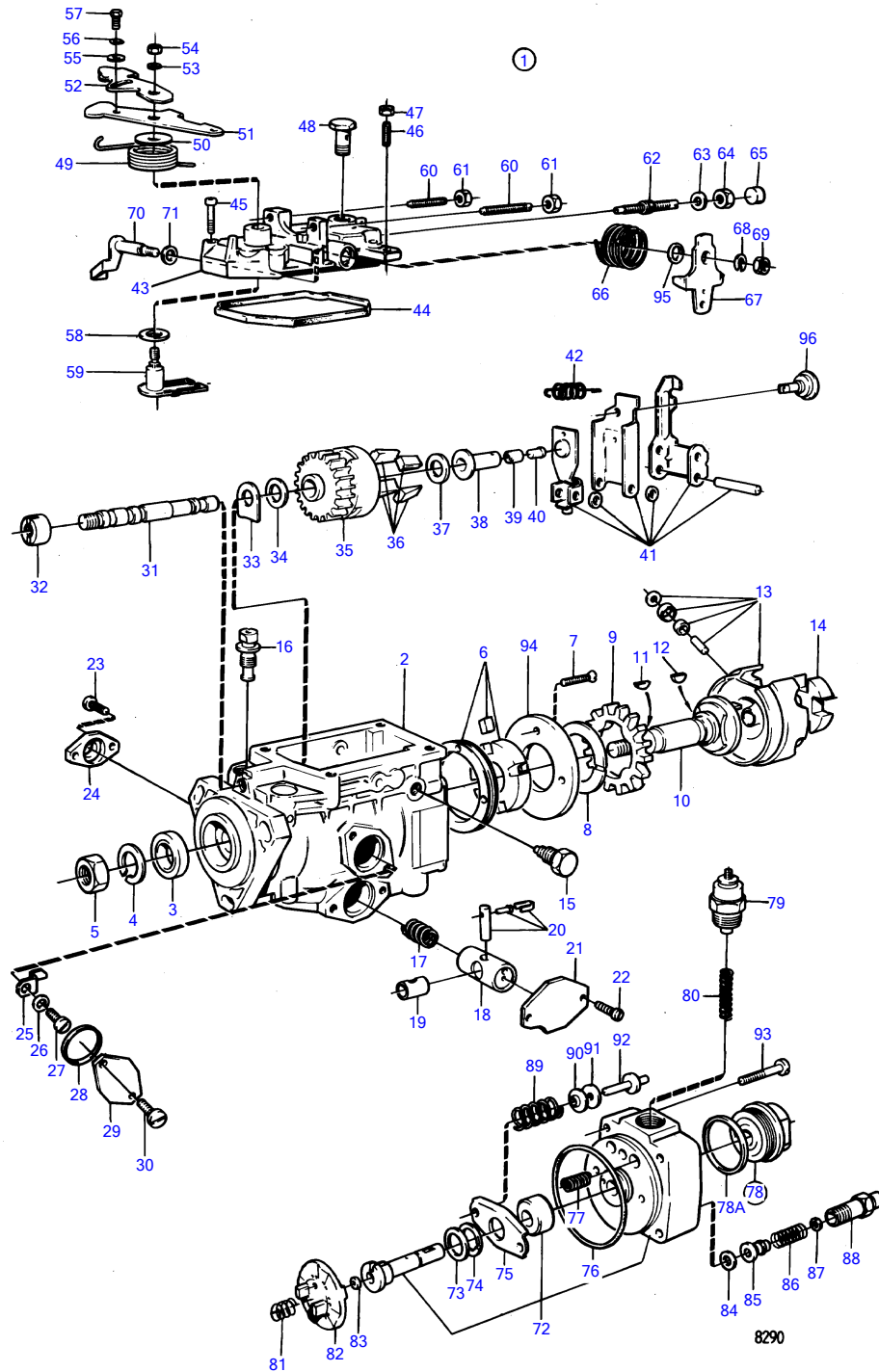


AD30A, AQAD30A, MD30A, TAMD30A, TMD30A



AD30A, AQAD30A, MD30A, TAMD30A, TMD30A

REF	PART NO.	QTY	DESCRIPTION	NOTES
1	858211	1	Injection pump	OBSOLETE PART
2		1	• HOUSING	
3	844178	1	• Sealing ring	OBSOLETE PART
4	838404	1	• Spring ring	OBSOLETE PART
5	955784	1	• Hexagon nut	
6	844144	1	• Rotor kit	OBSOLETE PART
7	838334	2	• Screw	OBSOLETE PART
8	844146	1	• Washer	OBSOLETE PART
9	844147	1	• Gear	OBSOLETE PART
10	844148	1	• Stub axle	OBSOLETE PART
11	25464	1	• Key	OBSOLETE PART
12	844293	1	• Key	OBSOLETE PART
13	838409	1	• Roller bearing	OBSOLETE PART
14	844152	1	• Washer	OBSOLETE PART
15	838345	1	• Screw	OBSOLETE PART
16	844179	1	• Valve	
17	838449	1	• Spring	OBSOLETE PART
18	838415	1	• Piston	OBSOLETE PART
19	858907	1	• Roller	OBSOLETE PART
20	844182	1	• Piston pin kit	OBSOLETE PART
21	844175	1	• Cover	OBSOLETE PART
22	838335	2	• Screw	OBSOLETE PART
23	838335	2	• Screw	OBSOLETE PART
24	844185	1	• Flange	OBSOLETE PART
25	243506	1	• Turn signal	OBSOLETE PART
26	941904	1	• Spring washer	
27	956057	1	• Cross recessed screw	OBSOLETE PART
28	844176	1	• O-ring	OBSOLETE PART
29	844175	1	• Cover	OBSOLETE PART
30	956092	2	• Cross recessed screw	
31	838347	1	• Control shaft	OBSOLETE PART
32	844217	1	• Nut	OBSOLETE PART
33	844215	1	• Washer	OBSOLETE PART
34	844214	X	• Washer	ALT.TH = 1,40 MM, OBSOLETE PART
	845750	X	• Washer	ALT.TH = 1,30 MM, OBSOLETE PART
35	844213	1	• Control knob	OBSOLETE PART
36	844212	1	• Regulator weight	OBSOLETE PART
37	838348	1	• Spacer washer	OBSOLETE PART
38	844210	1	• Sleeve	OBSOLETE PART
39	844209	1	• Pin	OBSOLETE PART
40	845757	X	• Pin	OBSOLETE PART, L=7,60mm
	845758	X	• Pin	OBSOLETE PART, L=7,80mm
	845759	X	• Pin	OBSOLETE PART, L=8,00mm
	845760	X	• Pin	OBSOLETE PART, L=8,20mm
	845761	X	• Pin	OBSOLETE PART, L=8,40mm
	845762	X	• Pin	OBSOLETE PART, L=8,60mm
	845763	X	• Pin	OBSOLETE PART, L=8,80mm
	845764	X	• Pin	OBSOLETE PART, L=9,00mm
	845765	X	• Pin	OBSOLETE PART, L=9,20mm
	845766	X	• Pin	OBSOLETE PART, L=9,40mm
	845767	X	• Pin	OBSOLETE PART, L=9,60mm
	845768	X	• Pin	OBSOLETE PART, L=9,80mm
	845769	X	• Pin	OBSOLETE PART, L=10,00mm
	845770	X	• Pin	OBSOLETE PART, L=10,20mm
	845771	X	• Pin	OBSOLETE PART, L=10,40mm
41	838344	1	• Control arm	OBSOLETE PART
42	838349	1	• Spring	OBSOLETE PART
43	859018	1	• Cover	OBSOLETE PART
44	845785	1	• Gasket	
45	838350	4	• Screw	OBSOLETE PART
46	844229	1	• Stud	OBSOLETE PART
47	955781	1	• Hexagon nut	
48	844237	1	• Hollow screw	

AD30A, AQAD30A, MD30A, TAMD30A, TMD30A

REF	PART NO.	QTY	DESCRIPTION	NOTES
49	844230	1	• Spring	OBSOLETE PART
50	845777	1	• Washer	OBSOLETE PART
51	838342	1	• Fork kit	OBSOLETE PART
52	838407	1	• Lever	OBSOLETE PART
53	838340	1	• Spring ring	
54	955781	1	• Hexagon nut	
55	955892	1	• Washer	
56	838340	1	• Spring ring	
57	244970	1	• Screw	OBSOLETE PART
58	844220	1	• Washer	OBSOLETE PART
59	838341	1	• Shaft	OBSOLETE PART
60	859019	2	• Stud	OBSOLETE PART
61	955781	2	• Hexagon nut	
62	859020	1	• Adjusting screw	OBSOLETE PART
63	25703	1	• Washer	OBSOLETE PART
64	838343	1	• Nut	OBSOLETE PART
65	844652	1	• Spacer sleeve	OBSOLETE PART
66	844223	1	• Spring	OBSOLETE PART
67	844226	1	• Lever	OBSOLETE PART
68	838340	1	• Spring ring	
69	955781	1	• Hexagon nut	
70	844222	1	• Shaft	OBSOLETE PART
71	844220	1	• Washer	OBSOLETE PART
72	838336	1	• Housing	OBSOLETE PART
73	243527	1	• Gasket	OBSOLETE PART
74	244809	1	• Washer	OBSOLETE PART
75	844162	1	• Washer	OBSOLETE PART
76	243555	1	• Sealing ring	OBSOLETE PART
77	844167	2	• Spring	OBSOLETE PART
78	844171	1	• Fitting	OBSOLETE PART
78A	947620	1	• • Gasket	
79	858058	1	• Stop solenoid	
80	844186	1	• Spring	
81	244691	1	• Spring	OBSOLETE PART
82	838411	1	• Companion flange	OBSOLETE PART
83	243531	X	• Adjusting washer	OBSOLETE PART, TH = 1,80 MM
	243534	X	• Adjusting washer	OBSOLETE PART, TH = 1,94 MM
	845726	X	• Shim	OBSOLETE PART, TH = 2,00 MM
	844155	X	• Adjusting washer	OBSOLETE PART, TH = 2,12 MM
	844156	X	• Adjusting washer	OBSOLETE PART, TH = 2,20 MM
	845729	X	• Shim	OBSOLETE PART, TH = 2,32 MM
	845730	X	• Shim	OBSOLETE PART, TH = 2,40 MM
	243545	X	• Adjusting washer	OBSOLETE PART, TH = 2,50 MM
	844158	X	• Adjusting washer	OBSOLETE PART, TH = 2,52 MM
	844160	X	• Adjusting washer	OBSOLETE PART, TH = 2,72 MM
	844161	X	• Adjusting washer	OBSOLETE PART, TH = 2,80 MM
84	845738	4	• Washer	
85	838442	4	• Delivery valve	OBSOLETE PART
86	243559	4	• Spring	
87	243560	4	• Gasket	OBSOLETE PART
88	244688	4	• Nipple	OBSOLETE PART
89	844164	1	• Spring kit	
90	844163	2	• Spring disc	OBSOLETE PART
91	844165	2	• Washer	OBSOLETE PART
92	844166	2	• Pin	OBSOLETE PART
93	244931	4	• Hex. socket screw	OBSOLETE PART
94	244918	1	• Ring	OBSOLETE PART
95	244938	1	• Gasket	OBSOLETE PART
96	838410	1	• Set screw	OBSOLETE PART
	844240	1	• Gasket kit	