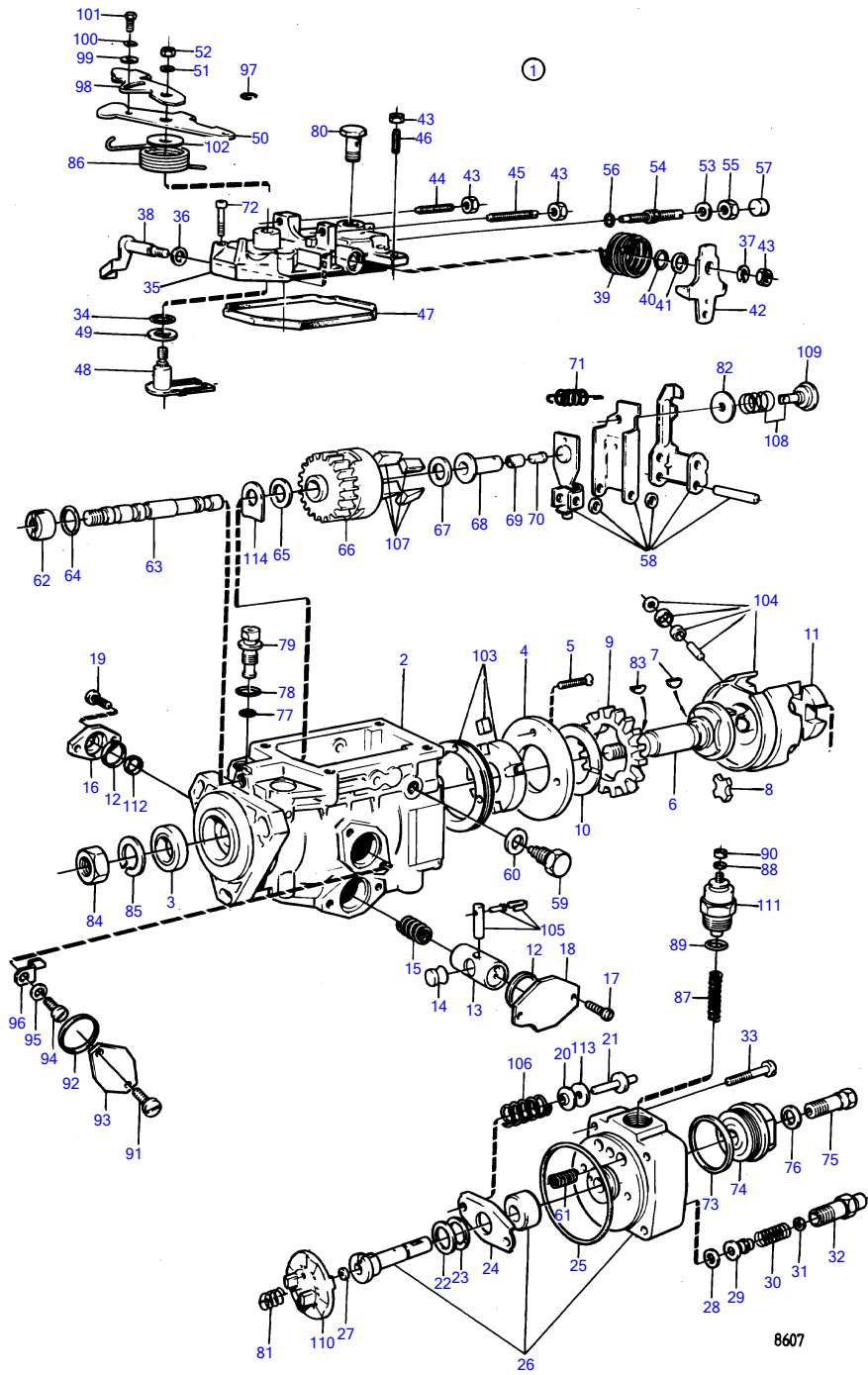


AD30A, AQAD30A, MD30A, TAMD30A, TMD30A



AD30A, AQAD30A, MD30A, TAMD30A, TMD30A

| REF | PART NO. | QTY | DESCRIPTION        | NOTES                       |
|-----|----------|-----|--------------------|-----------------------------|
| 1   | 846022   | 1   | Injection pump     |                             |
| 2   |          | 1   | • HOUSING          |                             |
| 3   | 844178   | 1   | • Sealing ring     | OBSOLETE PART               |
| 4   | 844145   | 1   | • Support ring     | OBSOLETE PART               |
| 5   | 838334   | 2   | • Screw            | OBSOLETE PART               |
| 6   | 844148   | 1   | • Stub axle        | OBSOLETE PART               |
| 7   | 844293   | 1   | • Key              | OBSOLETE PART               |
| 8   | 844150   | 2   | • Absorber         |                             |
| 9   | 844147   | 1   | • Gear             | OBSOLETE PART               |
| 10  | 844146   | 1   | • Washer           | OBSOLETE PART               |
| 11  | 844152   | 1   | • Washer           | OBSOLETE PART               |
| 12  | 844176   | 2   | • O-ring           | OBSOLETE PART               |
| 13  | 838415   | 1   | • Piston           | OBSOLETE PART               |
| 14  | 858907   | 1   | • Roller           | (844181), OBSOLETE PART     |
| 15  | 844184   | 1   | • Spring           | OBSOLETE PART               |
| 16  | 844185   | 1   | • Flange           | OBSOLETE PART               |
| 17  | 838335   | 2   | • Screw            | OBSOLETE PART               |
| 18  | 844175   | 1   | • Cover            | OBSOLETE PART               |
| 19  | 838335   | 2   | • Screw            | OBSOLETE PART               |
| 20  | 844163   | 2   | • Spring disc      | OBSOLETE PART               |
| 21  | 844166   | 2   | • Pin              | OBSOLETE PART               |
| 22  | 243527   | 1   | • Gasket           | OBSOLETE PART               |
| 23  | 243530   | 1   | • Gasket           | OBSOLETE PART               |
| 24  | 844162   | 1   | • Washer           | OBSOLETE PART               |
| 25  | 243555   | 1   | • Sealing ring     | (844168), OBSOLETE PART     |
| 26  | 838336   | 1   | • Housing          | OBSOLETE PART               |
| 27  | 243531   | X   | • Adjusting washer | OBSOLETE PART, TH = 1,80 MM |
|     | 243534   | X   | • Adjusting washer | OBSOLETE PART, TH = 1,94 MM |
|     | 845726   | X   | • Shim             | OBSOLETE PART, TH = 2,00 MM |
|     | 844155   | X   | • Adjusting washer | OBSOLETE PART, TH = 2,12 MM |
|     | 844156   | X   | • Adjusting washer | OBSOLETE PART, TH = 2,20 MM |
|     | 845729   | X   | • Shim             | OBSOLETE PART, TH = 2,32 MM |
|     | 845730   | X   | • Shim             | OBSOLETE PART, TH = 2,40 MM |
|     | 243545   | X   | • Adjusting washer | OBSOLETE PART, TH = 2,50 MM |
|     | 844158   | X   | • Adjusting washer | OBSOLETE PART, TH = 2,52 MM |
|     | 844160   | X   | • Adjusting washer | OBSOLETE PART, TH = 2,72 MM |
|     | 844161   | X   | • Adjusting washer | OBSOLETE PART, TH = 2,80 MM |
| 28  | 845738   | 4   | • Washer           |                             |
| 29  | 838442   | 4   | • Delivery valve   | OBSOLETE PART, (838337)     |
| 30  | 243559   | 4   | • Spring           |                             |
| 31  | 243560   | 4   | • Gasket           | OBSOLETE PART               |
| 32  | 244688   | 4   | • Nipple           | OBSOLETE PART               |
| 33  | 838338   | 4   | • Screw            | OBSOLETE PART               |
| 34  | 243567   | 1   | • Sealing ring     |                             |
| 35  | 838339   | 1   | • Cover            | OBSOLETE PART               |
| 36  | 844220   | 1   | • Washer           | OBSOLETE PART               |
| 37  | 838340   | 1   | • Spring ring      |                             |
| 38  | 844222   | 1   | • Shaft            | OBSOLETE PART               |
| 39  | 844223   | 1   | • Spring           | OBSOLETE PART               |
| 40  | 844224   | 1   | • O-ring           |                             |
| 41  | 844225   | 1   | • Washer           | OBSOLETE PART               |
| 42  | 844226   | 1   | • Lever            | OBSOLETE PART               |
| 43  | 955781   | 4   | • Hexagon nut      |                             |
| 44  | 1277235  | 1   | • Stud             | OBSOLETE PART               |
| 45  | 844228   | 1   | • Stud             | OBSOLETE PART               |
| 46  | 844229   | 1   | • Stud             | OBSOLETE PART               |
| 47  | 845785   | 1   | • Gasket           |                             |
| 48  | 838341   | 1   | • Shaft            | OBSOLETE PART               |
| 49  | 844220   | 1   | • Washer           | OBSOLETE PART               |
| 50  | 838342   | 1   | • Fork kit         | OBSOLETE PART               |
| 51  | 838340   | 1   | • Spring ring      |                             |
| 52  | 955781   | 1   | • Hexagon nut      |                             |
| 53  | 25703    | 1   | • Washer           | OBSOLETE PART               |

AD30A, AQAD30A, MD30A, TAMD30A, TMD30A

| REF | PART NO. | QTY | DESCRIPTION            | NOTES                            |
|-----|----------|-----|------------------------|----------------------------------|
| 54  | 1257677  | 1   | • Screw                | OBSOLETE PART, ALT, L = 26 MM    |
|     | 1257678  | 1   | • Screw                | OBSOLETE PART, ALT, L = 24 MM    |
|     | 1257679  | 1   | • Screw                | OBSOLETE PART, ALT, L = 28 MM    |
| 55  | 838343   | 1   | • Nut                  | OBSOLETE PART                    |
| 56  | 844235   | 1   | • O-ring               | OBSOLETE PART                    |
| 57  | 844652   | 1   | • Spacer sleeve        | OBSOLETE PART                    |
| 58  | 838344   | 1   | • Control arm          | OBSOLETE PART                    |
| 59  | 838345   | 2   | • Screw                | OBSOLETE PART                    |
| 60  | 838346   | 2   | • Gasket               |                                  |
| 61  | 844167   | 2   | • Spring               | OBSOLETE PART                    |
| 62  | 844217   | 1   | • Nut                  | OBSOLETE PART                    |
| 63  | 838347   | 1   | • Control shaft        | OBSOLETE PART                    |
| 64  | 243786   | 1   | • O-ring               |                                  |
| 65  | 844214   | X   | • Washer               | OBSOLETE PART, ALT, TH = 1,40 MM |
|     | 845750   | X   | • Washer               | OBSOLETE PART, ALT, TH = 1,30 MM |
|     | 845751   | X   | • Washer               | OBSOLETE PART, ALT, TH = 1,35 MM |
| 66  | 844213   | 1   | • Control knob         | OBSOLETE PART                    |
| 67  | 838348   | 1   | • Spacer washer        | OBSOLETE PART                    |
| 68  | 844210   | 1   | • Sleeve               | OBSOLETE PART                    |
| 69  | 844209   | 1   | • Pin                  | OBSOLETE PART                    |
| 70  | 845757   | X   | • Pin                  | OBSOLETE PART, L=7,60mm          |
|     | 845758   | X   | • Pin                  | OBSOLETE PART, L=7,80mm          |
|     | 845759   | X   | • Pin                  | OBSOLETE PART, L=8,00mm          |
|     | 845760   | X   | • Pin                  | OBSOLETE PART, L=8,20mm          |
|     | 845761   | X   | • Pin                  | OBSOLETE PART, L=8,40mm          |
|     | 845762   | X   | • Pin                  | OBSOLETE PART, L=8,60mm          |
|     | 845763   | X   | • Pin                  | OBSOLETE PART, L=8,80mm          |
|     | 845764   | X   | • Pin                  | OBSOLETE PART, L=9,00mm          |
|     | 845765   | X   | • Pin                  | OBSOLETE PART, L=9,20mm          |
|     | 845766   | X   | • Pin                  | OBSOLETE PART, L=9,40mm          |
|     | 845767   | X   | • Pin                  | OBSOLETE PART, L=9,60mm          |
|     | 845768   | X   | • Pin                  | OBSOLETE PART, L=9,80mm          |
|     | 845769   | X   | • Pin                  | OBSOLETE PART, L=10,00mm         |
|     | 845770   | X   | • Pin                  | OBSOLETE PART, L=10,20mm         |
|     | 845771   | X   | • Pin                  | OBSOLETE PART, L=10,40mm         |
| 71  | 838349   | 1   | • Spring               | OBSOLETE PART                    |
| 72  | 838350   | 4   | • Screw                | OBSOLETE PART                    |
| 73  | 838402   | 1   | • O-ring               | OBSOLETE PART                    |
| 74  | 844171   | 1   | • Fitting              | OBSOLETE PART                    |
| 75  | 845737   | 1   | • Screw                | OBSOLETE PART, REPL BY 844171    |
| 76  | 947620   | 1   | • • Gasket             |                                  |
| 77  | 243521   | 1   | • Sealing ring         |                                  |
| 78  | 243520   | 1   | • Sealing ring         |                                  |
| 79  | 844179   | 1   | • Valve                |                                  |
| 80  | 844237   | 1   | • Hollow screw         |                                  |
| 81  | 244691   | 1   | • Spring               | OBSOLETE PART                    |
| 82  | 838403   | 1   | • Washer               | OBSOLETE PART                    |
| 83  | 25464    | 1   | • Key                  | OBSOLETE PART                    |
| 84  | 955784   | 1   | • Hexagon nut          |                                  |
| 85  | 838404   | 1   | • Spring ring          | OBSOLETE PART                    |
| 86  | 844230   | 1   | • Spring               | OBSOLETE PART                    |
| 87  | 844186   | 1   | • Spring               |                                  |
| 88  | 25261    | 1   | • Washer               | OBSOLETE PART, (838405)          |
| 89  | 243572   | 1   | • O-ring               |                                  |
| 90  | 838406   | 1   | • Nut                  | OBSOLETE PART                    |
| 91  | 956092   | 2   | • Cross recessed screw |                                  |
| 92  | 844176   | 1   | • O-ring               | OBSOLETE PART                    |
| 93  | 844175   | 1   | • Cover                | OBSOLETE PART                    |
| 94  | 956057   | 1   | • Cross recessed screw | OBSOLETE PART                    |
| 95  | 941904   | 1   | • Spring washer        |                                  |
| 96  | 243506   | 1   | • Turn signal          | OBSOLETE PART                    |
| 98  | 838407   | 1   | • Lever                | OBSOLETE PART                    |
| 99  | 955892   | 1   | • Washer               |                                  |

AD30A, AQAD30A, MD30A, TAMD30A, TMD30A

| REF | PART NO. | QTY | DESCRIPTION        | NOTES         |
|-----|----------|-----|--------------------|---------------|
| 100 | 838340   | 1   | • Spring ring      |               |
| 101 | 838408   | 1   | • Screw            | OBSOLETE PART |
| 102 | 845777   | 1   | • Washer           | OBSOLETE PART |
| 103 | 844144   | 1   | • Rotor kit        | OBSOLETE PART |
| 104 | 838409   | 1   | • Roller bearing   | OBSOLETE PART |
| 105 | 844182   | 1   | • Piston pin kit   | OBSOLETE PART |
| 106 | 844164   | 1   | • Spring kit       |               |
| 107 | 844212   | 1   | • Regulator weight | OBSOLETE PART |
| 109 | 838410   | 1   | • Set screw        | OBSOLETE PART |
| 110 | 838411   | 1   | • Companion flange | OBSOLETE PART |
| 111 |          | 1   | • Magnet           | (838412)      |
| 112 | 244425   | 1   | • Adjusting washer | OBSOLETE PART |
| 113 | 844165   | 2   | • Washer           | OBSOLETE PART |
| 114 | 844215   | 1   | • Washer           | OBSOLETE PART |
|     | 844240   | 1   | • Gasket kit       |               |