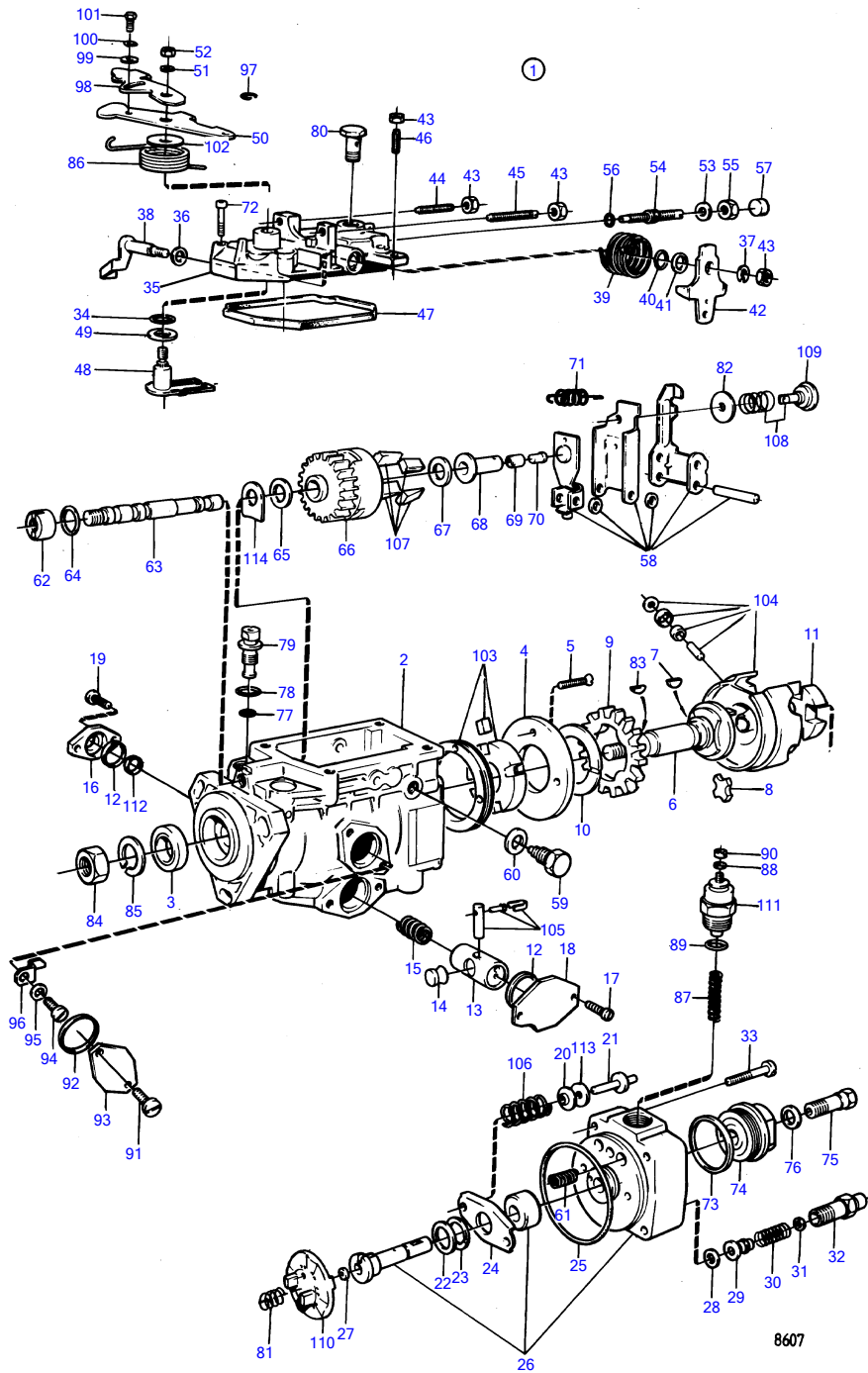


AD30A, AQAD30A, MD30A, TAMD30A, TMD30A



AD30A, AQAD30A, MD30A, TAMD30A, TMD30A

REF	PART NO.	QTY	DESCRIPTION	NOTES
1	846020	1	Injection pump	OBSOLETE PART
2		1	• HOUSING	
3	844178	1	• Sealing ring	OBSOLETE PART
4	844145	1	• Support ring	OBSOLETE PART
5	838334	2	• Screw	OBSOLETE PART
6	844148	1	• Stub axle	OBSOLETE PART
7	844293	1	• Key	OBSOLETE PART
8	844150	2	• Absorber	
9	844147	1	• Gear	OBSOLETE PART
10	844146	1	• Washer	OBSOLETE PART
11	844152	1	• Washer	OBSOLETE PART
12	844176	2	• O-ring	OBSOLETE PART
13	844180	1	• Piston	OBSOLETE PART
14	858907	1	• Roller	(844181), OBSOLETE PART
15	844184	1	• Spring	OBSOLETE PART
16	844185	1	• Flange	OBSOLETE PART
17	838335	2	• Screw	OBSOLETE PART
18	844175	1	• Cover	OBSOLETE PART
19	838335	2	• Screw	OBSOLETE PART
20	844163	2	• Spring disc	OBSOLETE PART
21	844166	2	• Pin	OBSOLETE PART
22	243527	1	• Gasket	OBSOLETE PART
23	243530	1	• Gasket	OBSOLETE PART
24	844162	1	• Washer	OBSOLETE PART
25	243555	1	• Sealing ring	(844168), OBSOLETE PART
26	838336	1	• Housing	OBSOLETE PART
27	243531	X	• Adjusting washer	OBSOLETE PART, TH = 1,80 MM
	243534	X	• Adjusting washer	OBSOLETE PART, TH = 1,94 MM
	845726	X	• Shim	OBSOLETE PART, TH = 2,00 MM
	844155	X	• Adjusting washer	OBSOLETE PART, TH = 2,12 MM
	844156	X	• Adjusting washer	OBSOLETE PART, TH = 2,20 MM
	845729	X	• Shim	OBSOLETE PART, TH = 2,32 MM
	845730	X	• Shim	OBSOLETE PART, TH = 2,40 MM
	243545	X	• Adjusting washer	OBSOLETE PART, TH = 2,50 MM
	844158	X	• Adjusting washer	OBSOLETE PART, TH = 2,52 MM
	844160	X	• Adjusting washer	OBSOLETE PART, TH = 2,72 MM
	844161	X	• Adjusting washer	OBSOLETE PART, TH = 2,80 MM
28	845738	4	• Washer	
29	838442	4	• Delivery valve	OBSOLETE PART, (838337)
30	243559	4	• Spring	
31	243560	4	• Gasket	OBSOLETE PART
32	244688	4	• Nipple	OBSOLETE PART
33	838338	4	• Screw	OBSOLETE PART
34	243567	1	• Sealing ring	
35	838339	1	• Cover	OBSOLETE PART
36	844220	1	• Washer	OBSOLETE PART
37	838340	1	• Spring ring	
38	844222	1	• Shaft	OBSOLETE PART
39	844223	1	• Spring	OBSOLETE PART
40	844224	1	• O-ring	
41	844225	1	• Washer	OBSOLETE PART
42	844226	1	• Lever	OBSOLETE PART
43	955781	4	• Hexagon nut	
44	1277235	1	• Stud	OBSOLETE PART
45	844228	1	• Stud	OBSOLETE PART
46	844229	1	• Stud	OBSOLETE PART
47	845785	1	• Gasket	
48	838341	1	• Shaft	OBSOLETE PART
49	844220	1	• Washer	OBSOLETE PART
50	838342	1	• Fork kit	OBSOLETE PART
51	838340	1	• Spring ring	
52	940197	1	• Hexagon nut	
53	25703	1	• Washer	OBSOLETE PART

AD30A, AQAD30A, MD30A, TAMD30A, TMD30A

REF	PART NO.	QTY	DESCRIPTION	NOTES
54	1257677	1	• Screw	OBSOLETE PART, ALT, L = 26 MM
	1257678	1	• Screw	OBSOLETE PART, ALT, L = 24 MM
	1257679	1	• Screw	OBSOLETE PART, ALT, L = 28 MM
55	838343	1	• Nut	OBSOLETE PART
56	844235	1	• O-ring	OBSOLETE PART
57	844652	1	• Spacer sleeve	OBSOLETE PART
58	838344	1	• Control arm	OBSOLETE PART
59	838345	2	• Screw	OBSOLETE PART
60	838346	2	• Gasket	
61	844167	2	• Spring	OBSOLETE PART
62	844217	1	• Nut	OBSOLETE PART
63	838347	1	• Control shaft	OBSOLETE PART
64	243786	1	• O-ring	
65	844214	X	• Washer	OBSOLETE PART, ALT, TH = 1,40 MM
	845750	X	• Washer	OBSOLETE PART, ALT, TH = 1,30 MM
	845751	X	• Washer	OBSOLETE PART, ALT, TH = 1,35 MM
66	844213	1	• Control knob	OBSOLETE PART
67	838348	1	• Spacer washer	OBSOLETE PART
68	844210	1	• Sleeve	OBSOLETE PART
69	844209	1	• Pin	OBSOLETE PART
70	845757	X	• Pin	OBSOLETE PART, L=7,60mm
	845758	X	• Pin	OBSOLETE PART, L=7,80mm
	845759	X	• Pin	OBSOLETE PART, L=8,00mm
	845760	X	• Pin	OBSOLETE PART, L=8,20mm
	845761	X	• Pin	OBSOLETE PART, L=8,40mm
	845762	X	• Pin	OBSOLETE PART, L=8,60mm
	845763	X	• Pin	OBSOLETE PART, L=8,80mm
	845764	X	• Pin	OBSOLETE PART, L=9,00mm
	845765	X	• Pin	OBSOLETE PART, L=9,20mm
	845766	X	• Pin	OBSOLETE PART, L=9,40mm
	845767	X	• Pin	OBSOLETE PART, L=9,60mm
	845768	X	• Pin	OBSOLETE PART, L=9,80mm
	845769	X	• Pin	OBSOLETE PART, L=10,00mm
	845770	X	• Pin	OBSOLETE PART, L=10,20mm
	845771	X	• Pin	OBSOLETE PART, L=10,40mm
71	838349	1	• Spring	OBSOLETE PART
72	838350	4	• Screw	OBSOLETE PART
73	838402	1	• O-ring	OBSOLETE PART
74	844171	1	• Fitting	OBSOLETE PART
75	845737	1	• Screw	OBSOLETE PART, REPL BY 844171
76	947620	1	• • Gasket	
77	243521	1	• Sealing ring	
78	243520	1	• Sealing ring	
79	844179	1	• Valve	
80	844237	1	• Hollow screw	
81	244691	1	• Spring	OBSOLETE PART
82	838403	1	• Washer	OBSOLETE PART
83	25464	1	• Key	OBSOLETE PART
84	955784	1	• Hexagon nut	
85	838404	1	• Spring ring	OBSOLETE PART
86	844230	1	• Spring	OBSOLETE PART
87	844186	1	• Spring	
88	25261	1	• Washer	OBSOLETE PART, (838405)
89	243572	1	• O-ring	
90	838406	1	• Nut	OBSOLETE PART
91	956092	2	• Cross recessed screw	
92	844176	1	• O-ring	OBSOLETE PART
93	844175	1	• Cover	OBSOLETE PART
94	956057	1	• Cross recessed screw	OBSOLETE PART
95	941904	1	• Spring washer	
96	243506	1	• Turn signal	OBSOLETE PART
98	838407	1	• Lever	OBSOLETE PART
99	955892	1	• Washer	

AD30A, AQAD30A, MD30A, TAMD30A, TMD30A

REF	PART NO.	QTY	DESCRIPTION	NOTES
100	838340	1	• Spring ring	
101	838408	1	• Screw	OBSOLETE PART
102	845777	1	• Washer	OBSOLETE PART
103	844144	1	• Rotor kit	OBSOLETE PART
104	838409	1	• Roller bearing	OBSOLETE PART
105	844182	1	• Piston pin kit	OBSOLETE PART
106	844164	1	• Spring kit	
107	844212	1	• Regulator weight	OBSOLETE PART
109	838410	1	• Set screw	OBSOLETE PART
110	838411	1	• Companion flange	OBSOLETE PART
111		1	• Magnet	(838412)
112	244425	1	• Adjusting washer	OBSOLETE PART
113	844165	2	• Washer	OBSOLETE PART
114	844215	1	• Washer	OBSOLETE PART
	844240	1	• Gasket kit	