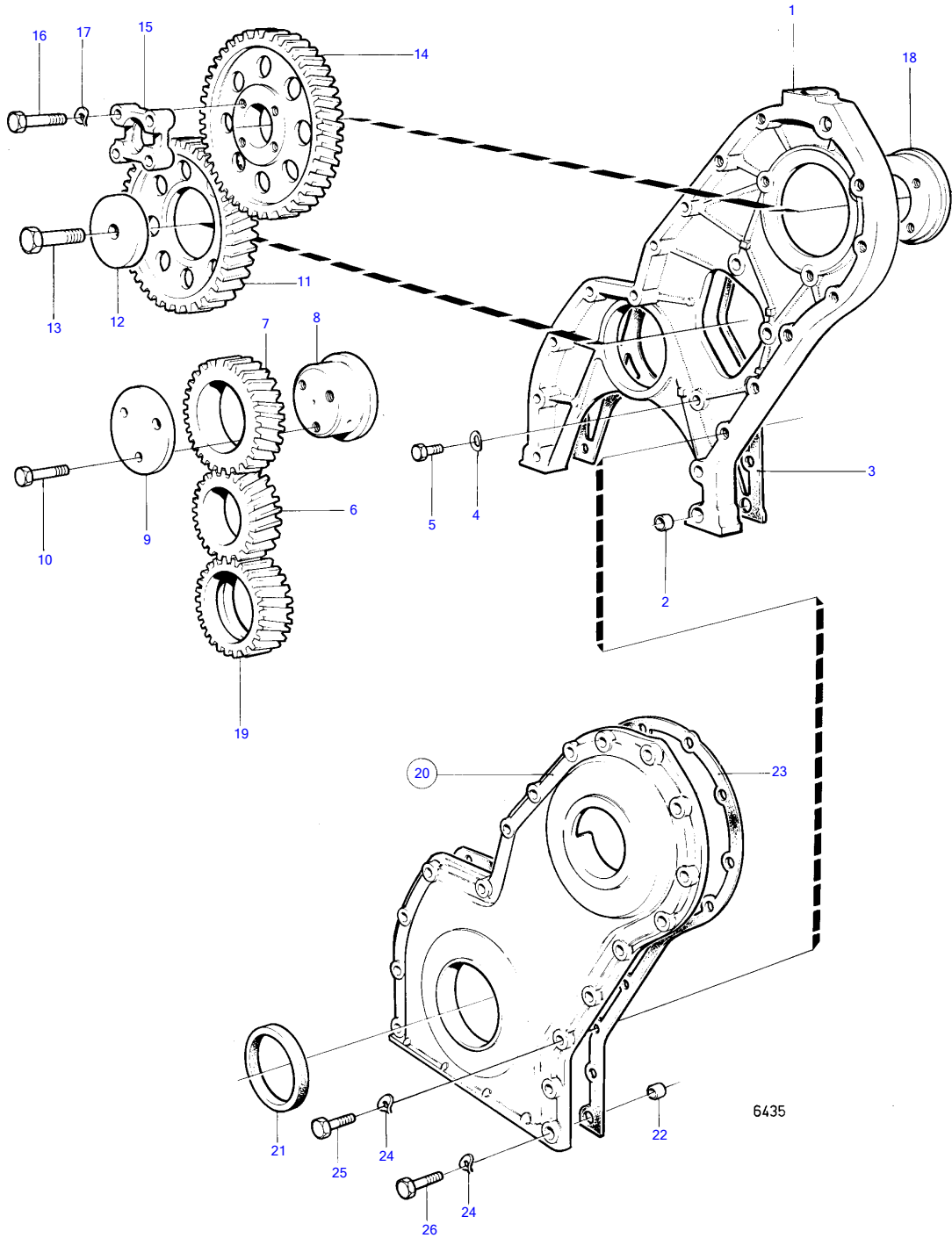


AQAD30A, MD30A, TAMD30A, TMD30A



## AQAD30A, MD30A, TAMD30A, TMD30A

| REF | PART NO. | QTY | DESCRIPTION        | SEE SEC. | NOTES                       |
|-----|----------|-----|--------------------|----------|-----------------------------|
| 1   | 842988   | 1   | Timing gear casing |          |                             |
| 2   | 415311   | 1   | Guide sleeve       |          |                             |
| 3   | 1542219  | 1   | Gasket             |          |                             |
| 4   | 941907   | 4   | Spring washer      |          |                             |
| 5   | 955295   | 3   | Hexagon screw      |          | L = 20 MM                   |
|     | 940142   | 1   | Hexagon screw      |          | L = 30 MM                   |
| 6   | 1542305  | 1   | Gear               | 18136    |                             |
| 7   | 1542061  | 1   | Gear               |          |                             |
| 8   | 838997   | 1   | Bearing spindle    |          | (1542064)                   |
| 9   | 1542065  | 1   | Thrust washer      |          |                             |
| 10  | 965180   | 3   | Flange screw       |          |                             |
| 11  | 1542034  | 1   | Gear               | 18137    |                             |
| 12  | 1542223  | 1   | Washer             | 18137    |                             |
| 13  | 955344   | 1   | Hexagon screw      | 18137    |                             |
| 14  | 1544149  | 1   | Gear               |          |                             |
| 15  | 829523   | 1   | Companion flange   |          |                             |
| 16  | 955299   | 4   | Hexagon screw      |          |                             |
| 17  | 941907   | 4   | Spring washer      |          |                             |
| 18  | 1542171  | 1   | Hub                |          | OBSOLETE PART, SEE GROUP 2C |
| 19  | 1542215  | 1   | Oil pump wheel     | 18141    |                             |
| 20  | 843086   | 1   | Cover              |          | Replaced by 842991          |
|     | 842991   | 1   | • Cover            |          |                             |
| 21  | 1542318  | 1   | • Sealing ring     |          |                             |
| 22  | 415311   | 2   | • Guide sleeve     |          |                             |
| 23  | 859038   | 1   | Gasket             |          | (842990)                    |
| 24  | 941907   | 13  | Spring washer      |          |                             |
| 25  | 940132   | 7   | Hexagon screw      |          | L = 35 MM                   |
|     | 955301   | 2   | Hexagon screw      |          | L = 55 MM, SEE GROUP 2C     |
| 26  | 955304   | 6   | Hexagon screw      |          | L = 70 MM                   |
|     | 955307   | 3   | Hexagon screw      |          | L = 100 MM, SEE GROUP 3     |
|     | 955306   | 1   | Hexagon screw      |          | L = 80 MM, SEE GROUP 3      |