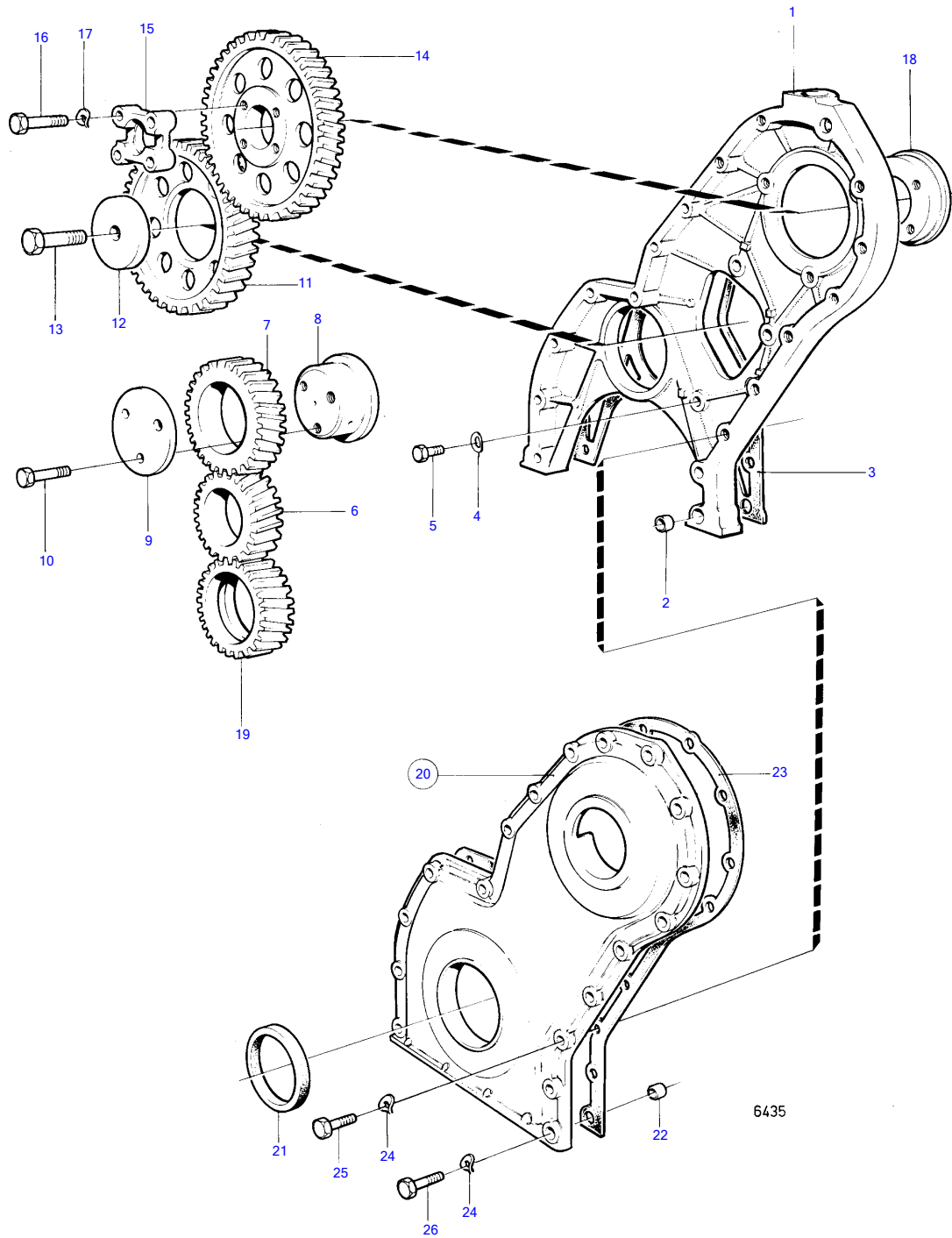


AQAD30A, MD30A, TAMD30A, TMD30A



## AQAD30A, MD30A, TAMD30A, TMD30A

REF	PART NO.	QTY	DESCRIPTION	SEE SEC.	NOTES
1	842988	1	Timing gear casing		
2	415311	1	Guide sleeve		
3	1542219	1	Gasket		
4	941907	4	Spring washer		
5	955295	3	Hexagon screw		L = 20 MM
	940142	1	Hexagon screw		L = 30 MM
6	1542305	1	Gear	18136	
7	1542061	1	Gear		
8	838997	1	Bearing spindle		(1542064)
9	1542065	1	Thrust washer		
10	965180	3	Flange screw		
11	1542034	1	Gear	18137	
12	1542223	1	Washer	18137	
13	955344	1	Hexagon screw	18137	
14	1544149	1	Gear		
15	829523	1	Companion flange		
16	955299	4	Hexagon screw		
17	941907	4	Spring washer		
18	1542171	1	Hub		OBSOLETE PART, SEE GROUP 2C
19	1542215	1	Oil pump wheel	18141	
20	843086	1	Cover		Replaced by 842991
	842991	1	• Cover		
21	1542318	1	• Sealing ring		
22	415311	2	• Guide sleeve		
23	859038	1	Gasket		(842990)
24	941907	13	Spring washer		
25	940132	7	Hexagon screw		L = 35 MM
	955301	2	Hexagon screw		L = 55 MM, SEE GROUP 2C
26	955304	6	Hexagon screw		L = 70 MM
	955307	3	Hexagon screw		L = 100 MM, SEE GROUP 3
	955306	1	Hexagon screw		L = 80 MM, SEE GROUP 3