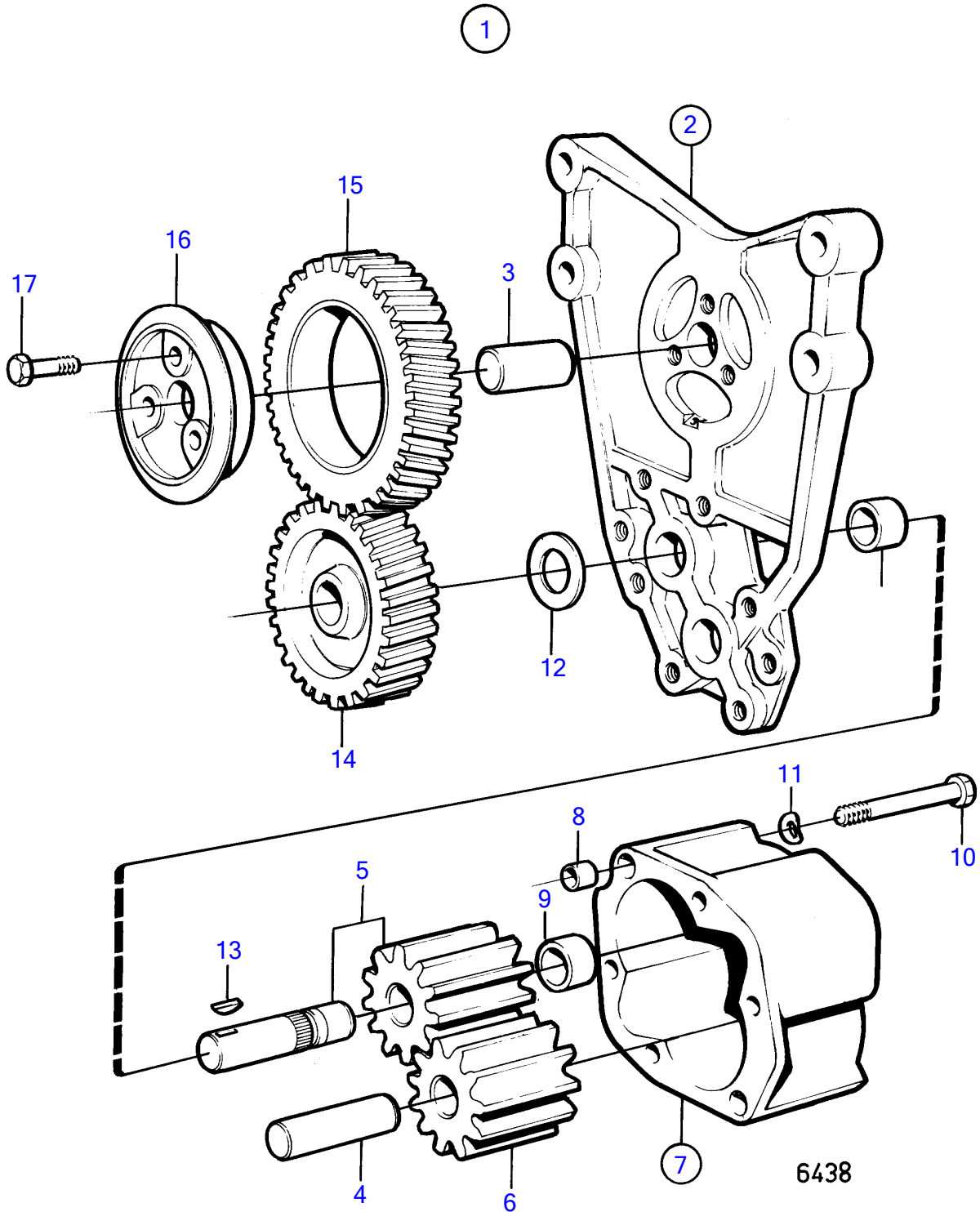


AD30A, AQAD30A, MD30A, TAMD30A, TMD30A



AD30A, AQAD30A, MD30A, TAMD30A, TMD30A

| REF | PART NO. | QTY | DESCRIPTION | SEE SEC. | NOTES |
|-----|----------|-----|------------------|----------|---------------|
| 1 | 1544125 | 1 | Oil pump | | |
| 2 | 1544126 | 1 | • Bracket | | OBSOLETE PART |
| 3 | 950614 | 1 | • • Pin | | OBSOLETE PART |
| 4 | 1544127 | 1 | • • Pin | | |
| 5 | 1544128 | 1 | • Shaft | | |
| 6 | 1544130 | 1 | • Oil pump wheel | | |
| 7 | 1544131 | 1 | • Housing | | OBSOLETE PART |
| 8 | 401146 | 2 | • • Guide sleeve | | |
| 9 | 470234 | 1 | • • Bushing | | |
| 10 | 955299 | 2 | • Hexagon screw | | |
| 11 | 941907 | 2 | • Spring washer | | |
| 12 | 424133 | 1 | • Washer | | |
| 13 | 910115 | 1 | • Woodruff key | | |
| 14 | 1542214 | 1 | • Gear | | |
| 15 | 1542215 | 1 | • Oil pump wheel | 18138 | |
| 16 | 1542218 | 1 | • Bearing sleeve | | |
| 17 | 946470 | 3 | • Flange screw | | |