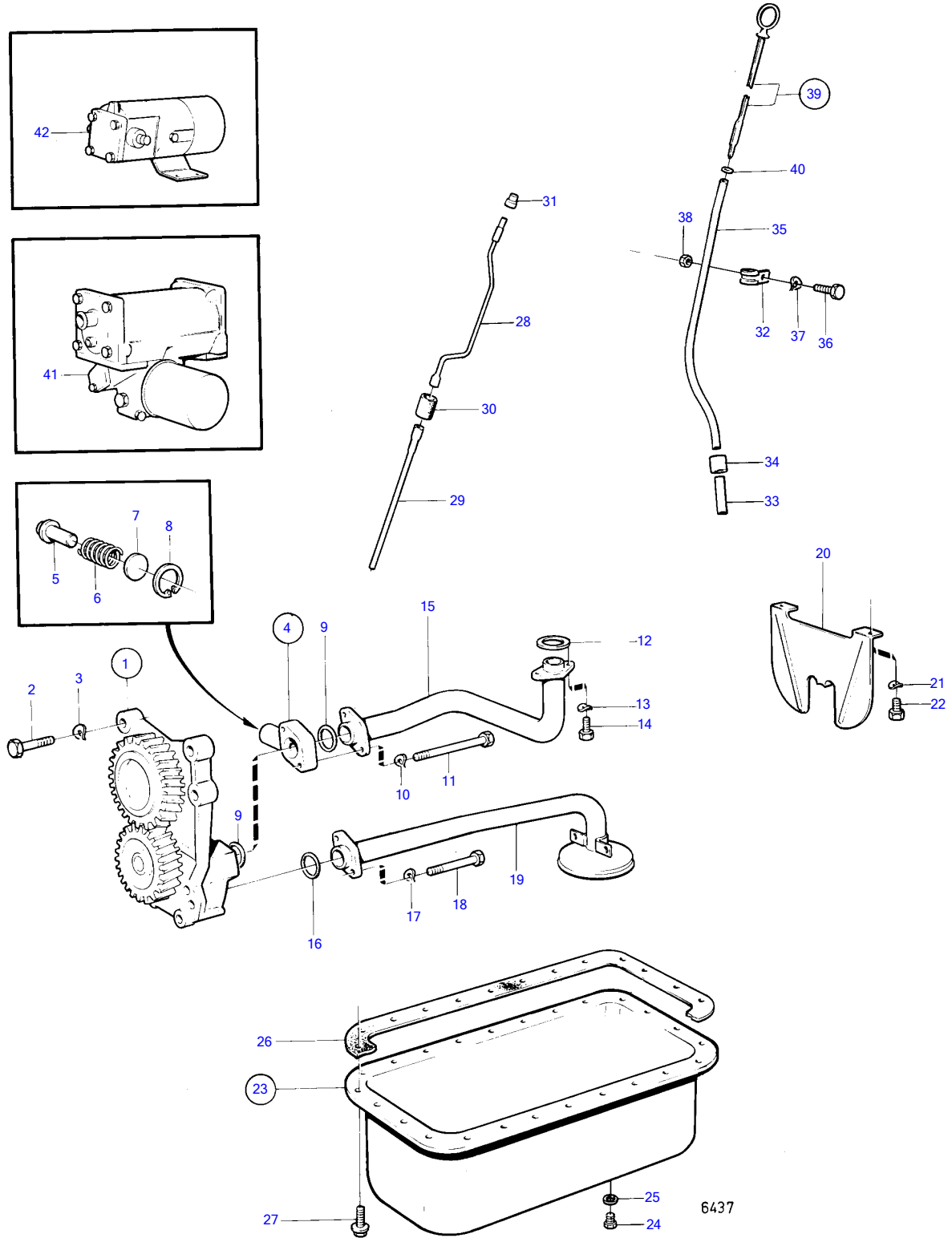


AQAD30A, MD30A, TAMD30A, TMD30A



AQAD30A, MD30A, TAMD30A, TMD30A

REF	PART NO.	QTY	DESCRIPTION	SEE SEC.	NOTES
1		1	OIL PUMP		
			•	18141	
2	955299	4	Hexagon screw		
3	941907	4	Spring washer		
4	1542255	1	Reduction valve		
5	471115	1	• Reduction valve		
6	1542257	1	• Spring		
7	948343	1	• Disc		
8	914506	1	• Snap ring		
9	469482	2	Sealing ring		
10	941907	2	Spring washer		
11	100222	2	Hexagon screw		(940129)
12	1542385	2	Sealing ring		
13	941907	2	Spring washer		
14	955295	2	Hexagon screw		
15	859055	1	Delivery pipe		
16	949657	1	O-ring		
17	941907	2	Spring washer		
18	955302	2	Hexagon screw		
19	859054	1	Suction pipe		(858067)
20	846742	1	Baffle plate		
21	942385	2	Disc spring		
22	955293	2	Hexagon screw		
23	845887	1	Sump		
24	948187	1	• Plug		
25	18818	1	• Gasket		
26	1544124	1	Gasket		
27	946440	26	Flange screw		
	946440	24	Flange screw		AQAD30A
	955295	2	Hexagon screw		SEE GROUP 2B
28	846008	1	Oil scavenging pipe		OBSOLETE PART
29	846007	1	Tube		
30	843533	1	Rubber cushion		
31	943835	1	Plug		
32	946834	2	Clamp		
33	843692	1	Tube		
34	843533	1	Rubber cushion		
35	846774	1	Tube		
36	955295	2	Hexagon screw		
37	960141	2	Washer		
38	946036	2	Lock nut		
39	846775	1	Oil dipstick		
40	949187	1	• O-ring		
41		1	OIL FILTER AND INSTALLATION COMPONENTS		
				18142	
42		X	• EL. OIL SUMP PUMP		SEE GROUP 9