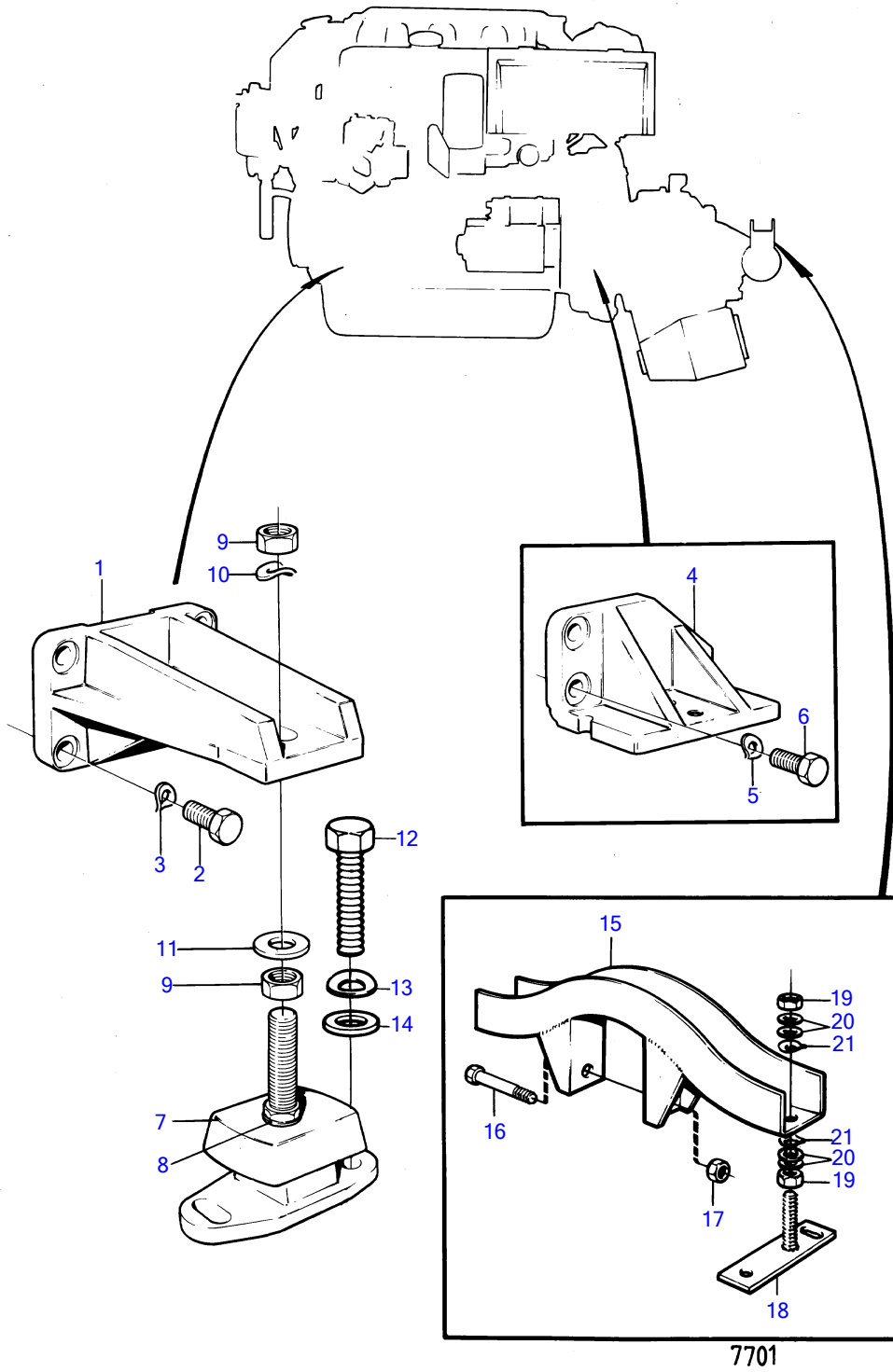


TMD30A



TMD30A

REF	PART NO.	QTY	DESCRIPTION	SEE SEC.	NOTES
1	829517	2	Engine bracket		
2	955342	8	Hexagon screw		FOR FRONT MOUNTED FUEL FILTER.
	955342	6	Hexagon screw		FOR SIDE MOUNTED FUEL FILTER.
	955344	2	Hexagon screw		FOR SIDE MOUNTED FUEL FILTER., INCLUDED IN INSTALLATION KIT 838978., SEE GROUP 2C
3	940143	8	Toothed washer		
4	829515	1	Engine bracket		P
	829516	1	Engine bracket		S.B
5	940143	6	Toothed washer		
6	955341	6	Hexagon screw		
7	846764	4	Rubber element		
			Bulletin 44-26	44-26-EN	Reinforced Rubber Cushion
8	955900	4	Washer		
9	955805	8	Hexagon nut		
10	941912	4	Spring washer		
11	191940	6	Washer		
	955900	2	Washer		
12	955321	8	Hexagon screw		
13	941908	8	Spring washer		
14	960148	8	Washer		