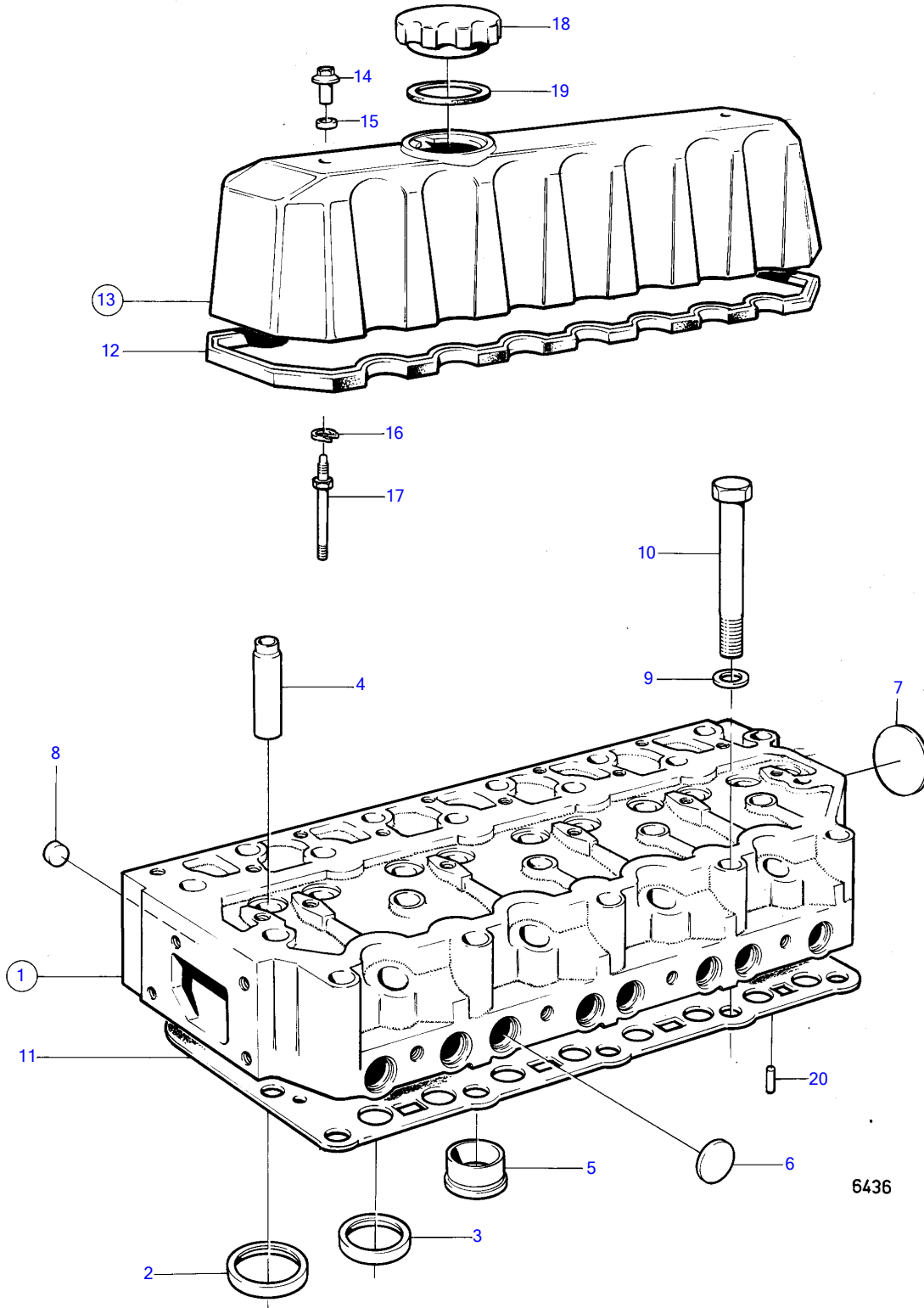


AQAD30A, MD30A, TAMD30A, TMD30A



6436

AQAD30A, MD30A, TAMD30A, TMD30A

| REF | PART NO. | QTY | DESCRIPTION           | SEE SEC. | NOTES                            |
|-----|----------|-----|-----------------------|----------|----------------------------------|
| 1   | 3803023  | 1   | Cylinder head, exch   |          | (1544110)                        |
| 2   | 1545174  | 4   | • Valve seat, INTAKE  |          |                                  |
|     | 1545175  |     | • Valve seat, INTAKE  |          | OBSOLETE PART, OVER SIZE 0,20 MM |
| 3   | 1545177  | 4   | • Valve seat, EXHAUST |          |                                  |
|     | 1545178  |     | • Valve seat, EXHAUST |          | OVER SIZE 0,20 MM                |
| 4   | 419653   | 8   | • Valve guide         | 18137    |                                  |
| 5   |          | 4   | • EMULSION BLOCK      |          |                                  |
| 6   | 192426   | 12  | • Expansion plug      |          |                                  |
| 7   | 1542264  | 1   | • Expansion plug      |          | OBSOLETE PART                    |
| 8   | 967853   | 4   | • Cap plug            |          | (955081)                         |
| 9   | 1542316  | 19  | Washer                |          | OBSOLETE PART, MO-7774           |
| 10  | 838775   | 19  | Screw                 |          | (1542144)                        |
|     |          |     |                       |          | MO-7774                          |
|     | 838775   | 19  | Screw                 |          | MO7775-                          |
| 11  | 1544109  | 1   | Gasket                |          |                                  |
| 12  | 1544119  | 1   | Gasket                |          |                                  |
| 13  | 1544117  | 1   | Valve cover           |          | OBSOLETE PART                    |
| 14  | 1542286  | 2   | • Cap nut             |          |                                  |
| 15  | 469846   | 2   | • Sealing ring        |          | (424342)                         |
| 16  | 914449   | 2   | • Snap ring           |          |                                  |
| 17  | 1542283  | 2   | Stud                  | 18137    |                                  |
| 18  | 420292   | 1   | Oil filler cap        |          |                                  |
| 19  | 940096   | 1   | Gasket                |          |                                  |
| 20  | 946402   | 2   | Grooved pin           | 18135    |                                  |