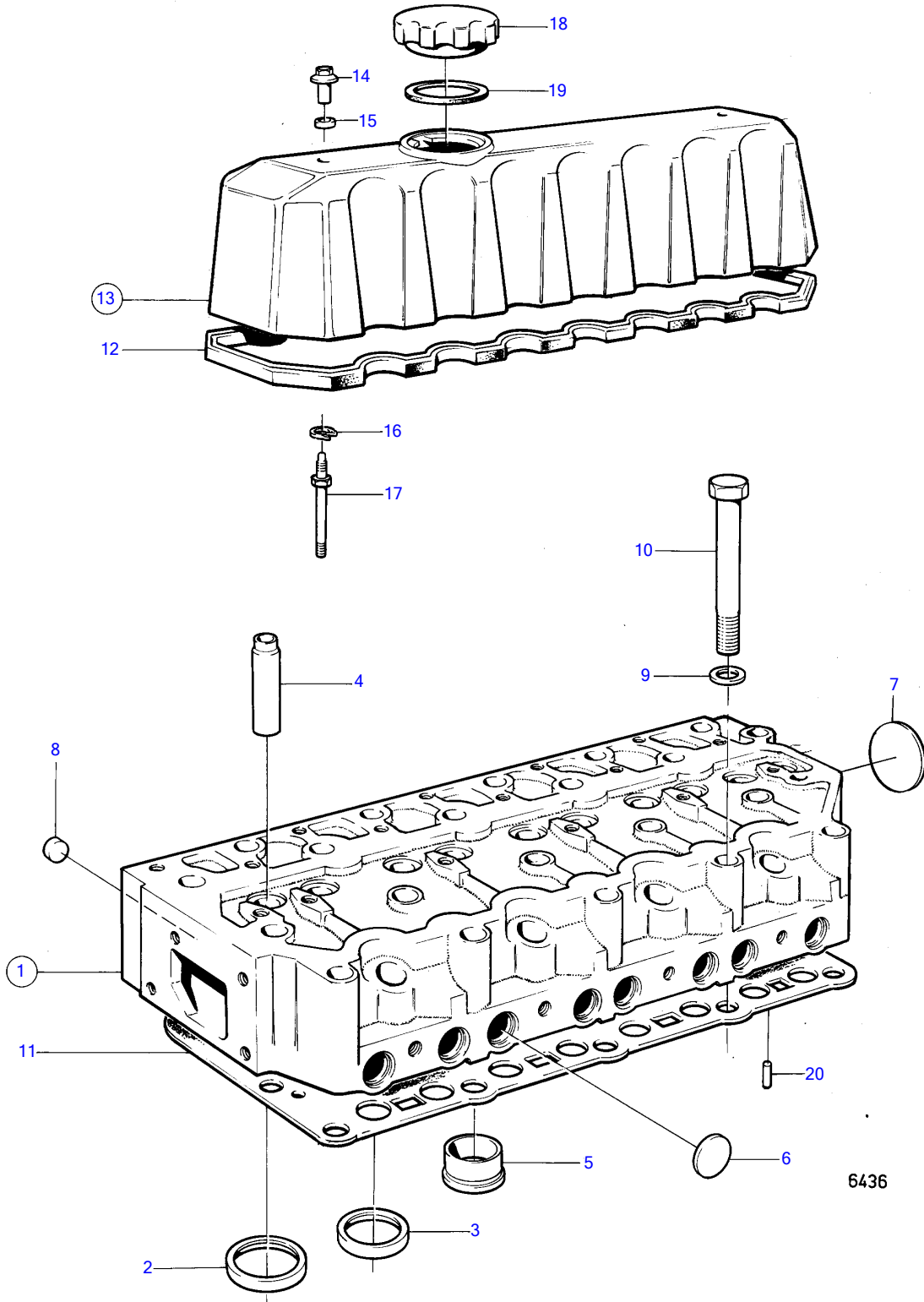


AQAD30A, MD30A, TAMD30A, TMD30A



6436

AQAD30A, MD30A, TAMD30A, TMD30A

REF	PART NO.	QTY	DESCRIPTION	SEE SEC.	NOTES
1	3803023	1	Cylinder head, exch		(1544110)
2	1545174	4	• Valve seat, INTAKE		
	1545175		• Valve seat, INTAKE		OBSOLETE PART, OVER SIZE 0,20 MM
3	1545177	4	• Valve seat, EXHAUST		
	1545178		• Valve seat, EXHAUST		OVER SIZE 0,20 MM
4	419653	8	• Valve guide	18137	
5		4	• EMULSION BLOCK		
6	192426	12	• Expansion plug		
7	1542264	1	• Expansion plug		OBSOLETE PART
8	967853	4	• Cap plug		(955081)
9	1542316	19	Washer		OBSOLETE PART, MO-7774
10	838775	19	Screw		(1542144)
					MO-7774
	838775	19	Screw		MO7775-
11	1544109	1	Gasket		
12	1544119	1	Gasket		
13	1544117	1	Valve cover		OBSOLETE PART
14	1542286	2	• Cap nut		
15	469846	2	• Sealing ring		(424342)
16	914449	2	• Snap ring		
17	1542283	2	Stud	18137	
18	420292	1	Oil filler cap		
19	940096	1	Gasket		
20	946402	2	Grooved pin	18135	