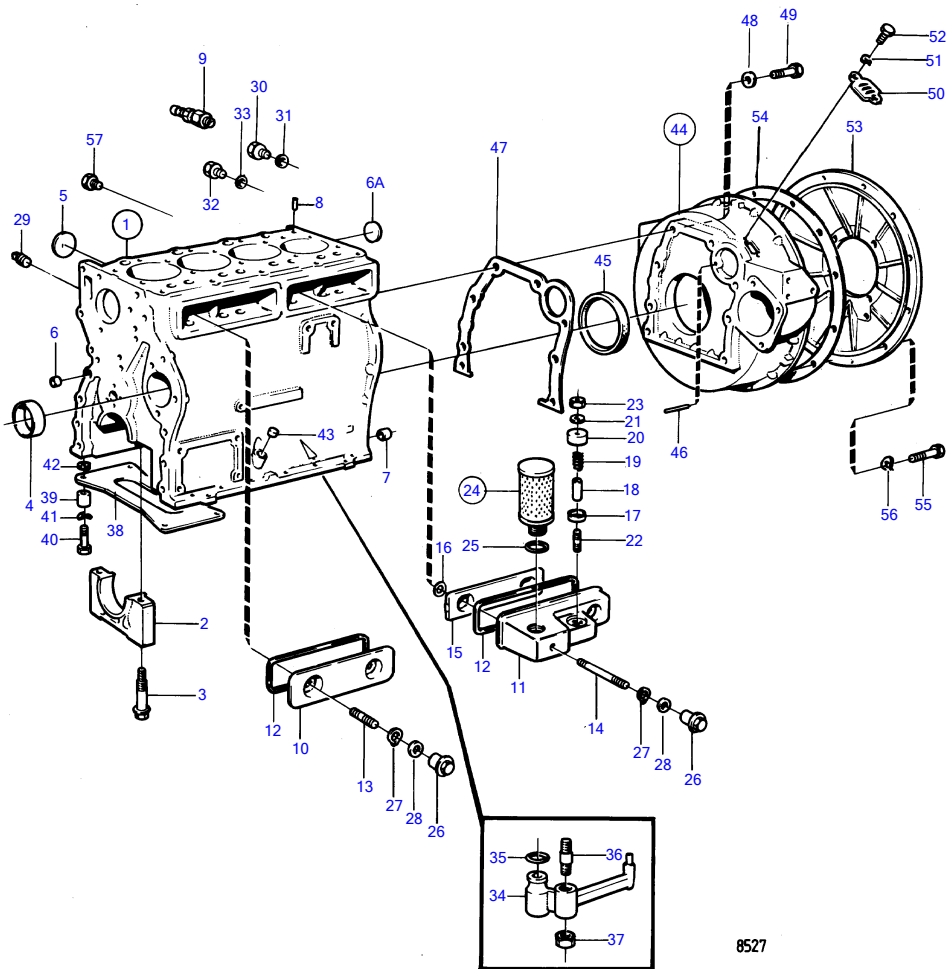


AQAD30A, MD30A, TAMD30A, TMD30A



8527

AQAD30A, MD30A, TAMD30A, TMD30A

| REF | PART NO. | QTY | DESCRIPTION | SEE SEC. | NOTES |
|-----|----------|-----|--------------------|----------|--|
| 1 | 1544100 | 1 | Cylinder block | | |
| | 858810 | 1 | Cylinder block | | OBSOLETE PART |
| 2 | | 5 | • BEARING CAP | | |
| 3 | 1542416 | 10 | • Screw | | |
| 4 | 1542067 | 5 | • Camshaft bushing | 18137 | |
| 5 | 463905 | 2 | • Expansion plug | | |
| 6 | 955083 | 4 | • Cap plug | | |
| 6A | 1542263 | 1 | • Expansion plug | | |
| 7 | 415311 | 3 | • Guide sleeve | | |
| 8 | 946402 | 2 | • Grooved pin | 18139 | |
| 9 | 949918 | 1 | Shut-off cock | | |
| 10 | 1542050 | 1 | Inspection lid | | |
| 11 | 842995 | 1 | Housing | | OBSOLETE PART |
| 12 | 1542052 | 2 | Sealing | | |
| 13 | 924075 | 3 | Stud | | L = 35 MM |
| 14 | 17378 | 1 | Stud | | L = 170 MM |
| 15 | 843882 | 1 | Splash plate | | |
| 16 | 844051 | 1 | Spring washer | | OBSOLETE PART |
| 17 | 842972 | 1 | Valve disc | | |
| 18 | 842974 | 1 | Spacer sleeve | | |
| 19 | 843905 | 1 | Spring | | |
| 20 | 842975 | 1 | Protecting casing | | |
| 21 | 421158 | 1 | Sealing ring | | |
| 22 | 924058 | 1 | Stud | | |
| 23 | 963105 | 1 | Lock nut | | |
| 24 | 875850 | 1 | Filter | | REPL BY 876069 |
| | 876069 | 1 | Filter | | |
| 25 | 843449 | 1 | • Gasket | | |
| 26 | 1542286 | 4 | Cap nut | | |
| 27 | 914449 | 4 | Snap ring | | |
| 28 | 469846 | 4 | Sealing ring | | (424342) |
| 29 | 952077 | 2 | Plug | | |
| 30 | 960630 | 1 | Plug | | MD30A |
| 31 | 18671 | 1 | Gasket | | MD30A |
| 32 | 960634 | 1 | Plug | | MD30A |
| 33 | 947627 | 1 | Gasket | | MD30A |
| 34 | 1542320 | 4 | Oil jet | | |
| 35 | 955981 | 4 | O-ring | | |
| 36 | 1542380 | 4 | Stud | | |
| 37 | 946035 | 4 | Lock nut | | |
| 38 | 1545159 | 1 | Foot plate | | |
| 39 | 1545160 | 4 | Spacer sleeve | | |
| 40 | 955324 | 4 | Hexagon screw | | |
| 41 | 941908 | 4 | Spring washer | | |
| 42 | 1545204 | 4 | Spacer sleeve | | |
| 43 | 955082 | 1 | Cap plug | | |
| 44 | 829467 | 1 | Flywheel housing | | |
| 45 | 1542204 | 1 | • Sealing ring | | |
| 46 | 404069 | 1 | • Pin | | |
| 47 | 829487 | 1 | Gasket | | |
| 48 | 941908 | 8 | Spring washer | | |
| 49 | 955320 | 6 | Hexagon screw | | L = 40 MM |
| | 955321 | 2 | Hexagon screw | | L = 45 MM |
| 50 | 407092 | 1 | Cover | | |
| 51 | 941906 | 2 | Spring washer | | |
| 52 | 955269 | 2 | Hexagon screw | | |
| 53 | 846761 | 1 | Flywheel housing | | FOR REVERSE GEAR MS2., SEE GROUP 4A |
| | 829489 | 1 | Cardboard tube | | FOR REVERSE GEAR MS3., SEE GROUP 4A |
| | 844519 | 1 | Flywheel housing | | FORAQUAMATIC DRIVE UNIT ANDDUOPROP DRIVE UNIT., SEE GROUP 4A |
| 54 | 829488 | 1 | Gasket | | OBSOLETE PART |
| 55 | 955319 | 11 | Hexagon screw | | |
| 56 | 941908 | 11 | Spring washer | | |

7744050-21-18135

8527

Upd:2010-07-01

AQAD30A, MD30A, TAMD30A, TMD30A

| REF | PART NO. | QTY | DESCRIPTION | SEE SEC. | NOTES |
|-----|----------|-----|-------------|----------|-------|
| 57 | 191026 | 1 | Plug | | |