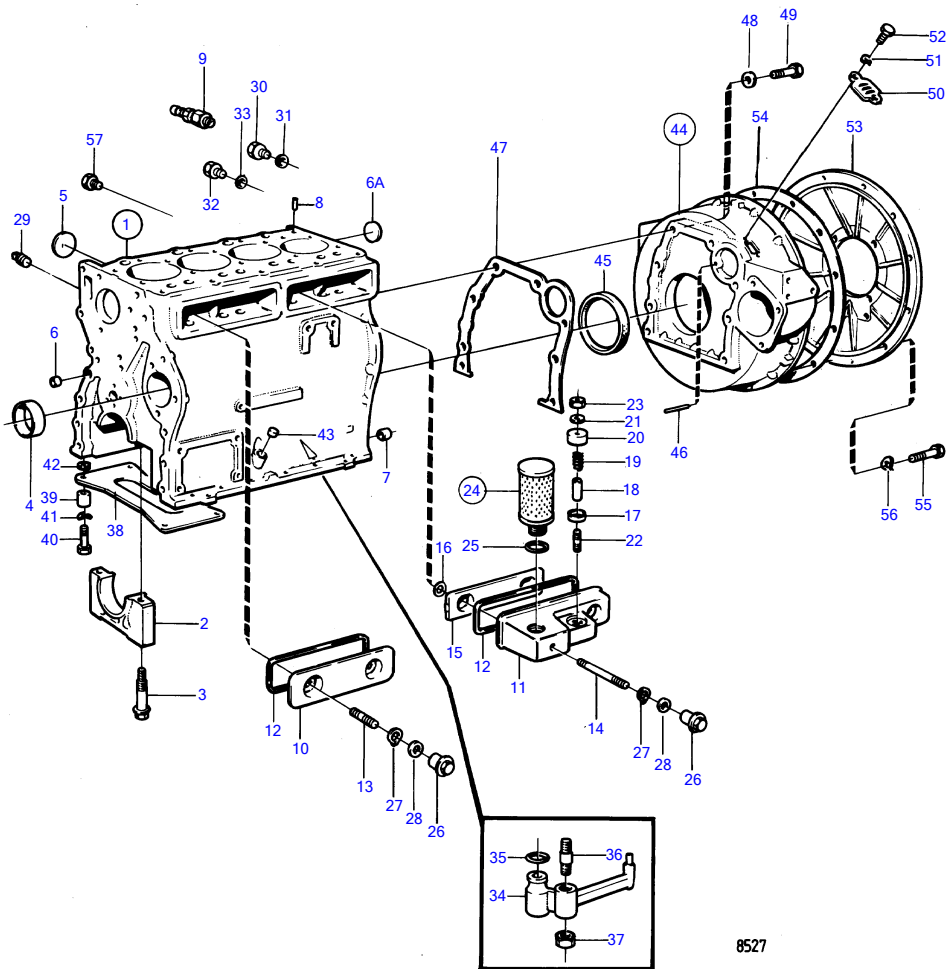


AQAD30A, MD30A, TAMD30A, TMD30A



8527

## AQAD30A, MD30A, TAMD30A, TMD30A

REF	PART NO.	QTY	DESCRIPTION	SEE SEC.	NOTES
1	1544100	1	Cylinder block		
	858810	1	Cylinder block		OBSOLETE PART
2		5	• BEARING CAP		
3	1542416	10	• Screw		
4	1542067	5	• Camshaft bushing	18137	
5	463905	2	• Expansion plug		
6	955083	4	• Cap plug		
6A	1542263	1	• Expansion plug		
7	415311	3	• Guide sleeve		
8	946402	2	• Grooved pin	18139	
9	949918	1	Shut-off cock		
10	1542050	1	Inspection lid		
11	842995	1	Housing		OBSOLETE PART
12	1542052	2	Sealing		
13	924075	3	Stud		L = 35 MM
14	17378	1	Stud		L = 170 MM
15	843882	1	Splash plate		
16	844051	1	Spring washer		OBSOLETE PART
17	842972	1	Valve disc		
18	842974	1	Spacer sleeve		
19	843905	1	Spring		
20	842975	1	Protecting casing		
21	421158	1	Sealing ring		
22	924058	1	Stud		
23	963105	1	Lock nut		
24	875850	1	Filter		REPL BY 876069
	876069	1	Filter		
25	843449	1	• Gasket		
26	1542286	4	Cap nut		
27	914449	4	Snap ring		
28	469846	4	Sealing ring		(424342)
29	952077	2	Plug		
30	960630	1	Plug		MD30A
31	18671	1	Gasket		MD30A
32	960634	1	Plug		MD30A
33	947627	1	Gasket		MD30A
34	1542320	4	Oil jet		
35	955981	4	O-ring		
36	1542380	4	Stud		
37	946035	4	Lock nut		
38	1545159	1	Foot plate		
39	1545160	4	Spacer sleeve		
40	955324	4	Hexagon screw		
41	941908	4	Spring washer		
42	1545204	4	Spacer sleeve		
43	955082	1	Cap plug		
44	829467	1	Flywheel housing		
45	1542204	1	• Sealing ring		
46	404069	1	• Pin		
47	829487	1	Gasket		
48	941908	8	Spring washer		
49	955320	6	Hexagon screw		L = 40 MM
	955321	2	Hexagon screw		L = 45 MM
50	407092	1	Cover		
51	941906	2	Spring washer		
52	955269	2	Hexagon screw		
53	846761	1	Flywheel housing		FOR REVERSE GEAR MS2., SEE GROUP 4A
	829489	1	Cardboard tube		FOR REVERSE GEAR MS3., SEE GROUP 4A
	844519	1	Flywheel housing		FORAQUAMATIC DRIVE UNIT ANDDUOPROP DRIVE UNIT., SEE GROUP 4A
54	829488	1	Gasket		OBSOLETE PART
55	955319	11	Hexagon screw		
56	941908	11	Spring washer		

7744050-21-18135

8527

Upd:2010-07-01

AQAD30A, MD30A, TAMD30A, TMD30A

REF	PART NO.	QTY	DESCRIPTION	SEE SEC.	NOTES
57	191026	1	Plug		

7744050-21-18135

8527

Upd:2010-07-01

AD30A, AQAD30A, MD30A, TAMD30A, TMD30A, AD30, AQAD30, MD30, TAMD30, TMD30