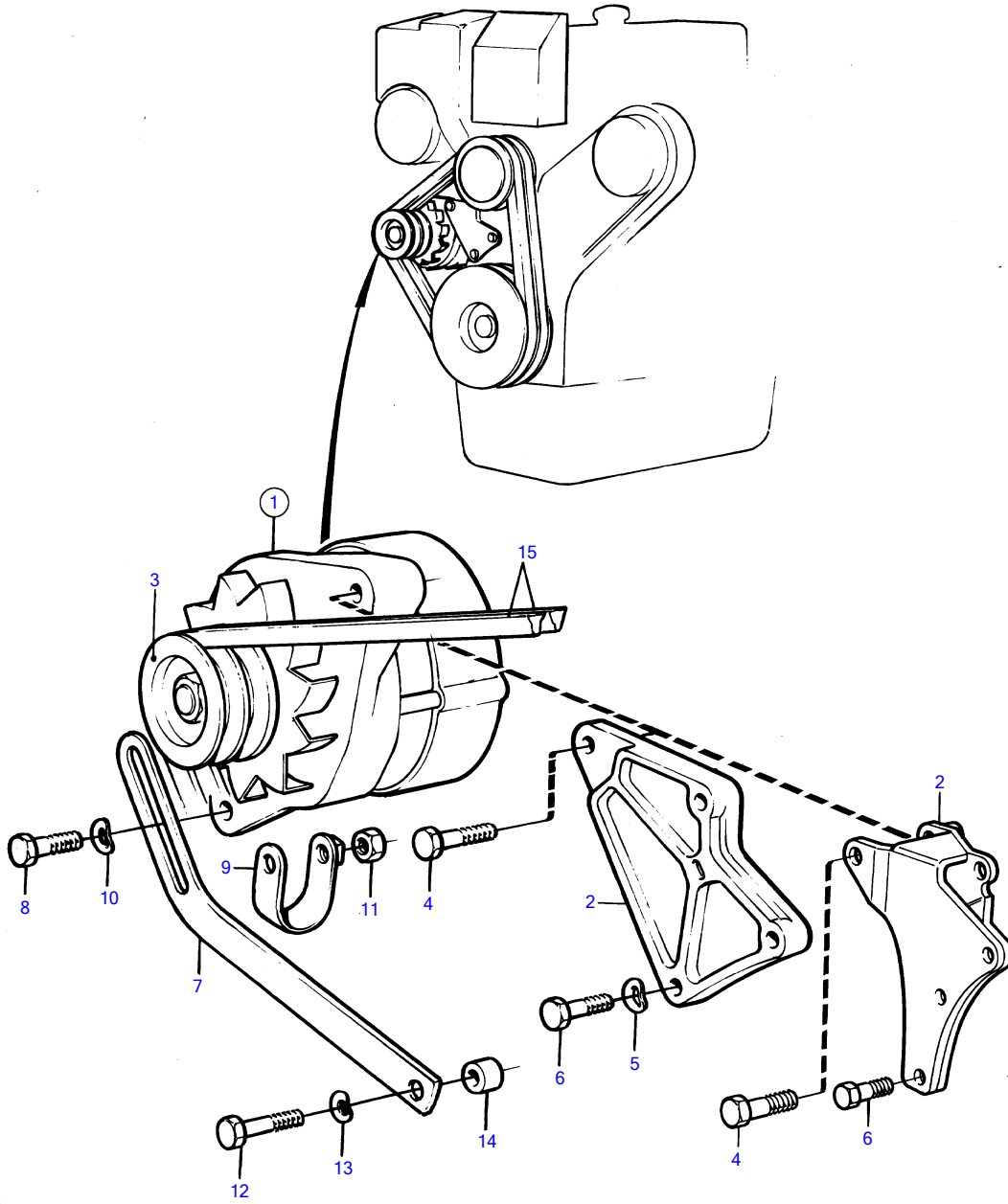


AQAD30A, MD30A, TAMD30A, TMD30A



7702

AQAD30A, MD30A, TAMD30A, TMD30A

| REF | PART NO. | QTY | DESCRIPTION | SEE SEC. | NOTES |
|-----|----------|-----|--------------------|----------|--------------------------|
| 1 | 841765 | 1 | Alternator | | REPL BY 858838 |
| | | | • | 18171 | |
| | 858838 | 1 | Alternator | | 12V |
| | | | • COMPS NOT SPEC | | |
| | | | • | 18171 | |
| | | | • COMPS NOT SPEC. | | |
| 2 | 842611 | 1 | Alternator bracket | | |
| 3 | 841812 | 1 | Pulley | | |
| 4 | 955700 | 1 | Hexagon screw | | |
| 5 | 941907 | 3 | Spring washer | | |
| 6 | 955307 | 3 | Hexagon screw | | L = 100 MM, SEE GROUP 2A |
| 7 | 845021 | 1 | Tensioner | | |
| 8 | 955298 | 1 | Hexagon screw | | L = 40 MM |
| 9 | 466735 | 1 | Tensioning eyelet | | |
| 10 | 191172 | 1 | Washer | | |
| 11 | 963106 | 1 | Lock nut | | |
| 12 | 955306 | 1 | Hexagon screw | | SEE GROUP 2A |
| 13 | 941907 | 1 | Spring washer | | SEE GROUP 2A |
| 14 | 842350 | 1 | Spacer sleeve | | |
| 15 | 958359 | 1 | V-belt | | L = 2X1100 MM |