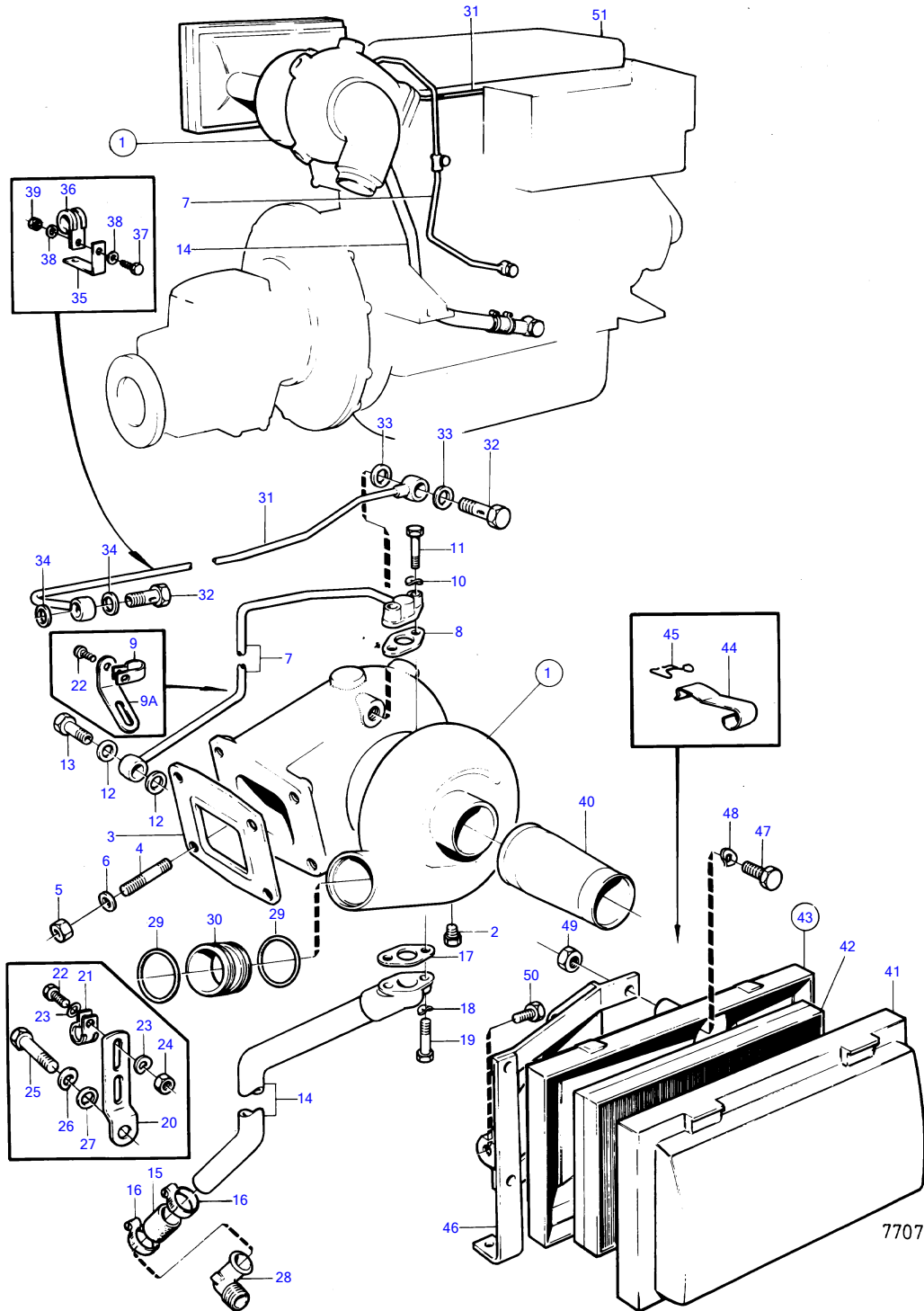


TMD30A



## TMD30A

| REF | PART NO. | QTY | DESCRIPTION                     | SEE SEC. | NOTES                         |
|-----|----------|-----|---------------------------------|----------|-------------------------------|
| 1   |          | 1   | Turbocharger                    |          |                               |
|     | 3802020  | 1   | Turbocharger, exch, exch        |          |                               |
|     |          |     | .                               | 18156    |                               |
| 2   | 192134   | 1   | Plug                            |          |                               |
| 3   | 843009   | 1   | Gasket                          |          |                               |
| 4   | 953063   | 4   | Stud                            |          | INCLUDED IN TURBO COMPRESSOR. |
| 5   | 940183   | 4   | Hexagon nut                     |          |                               |
| 6   | 955895   | 4   | Washer                          |          |                               |
| 7   | 846038   | 1   | Oil pressure pipe               |          |                               |
| 8   | 842943   | 1   | Gasket                          |          |                               |
| 9   | 952625   | 1   | Clamp                           |          |                               |
| 9A  | 414692   | 1   | Bracket                         |          |                               |
| 10  | 941907   | 2   | Spring washer                   |          |                               |
| 11  | 940142   | 2   | Hexagon screw                   |          |                               |
| 12  | 18671    | 2   | Gasket                          |          |                               |
| 13  | 25167    | 1   | Hollow screw                    |          |                               |
| 14  | 846039   | 1   | Oil return pipe                 |          |                               |
| 15  | 466328   | 1   | Rubber hose                     |          |                               |
| 16  | 943474   | 2   | Hose clamp                      |          |                               |
| 17  | 842986   | 1   | Gasket                          |          |                               |
| 18  | 941907   | 2   | Spring washer                   |          |                               |
| 19  | 955297   | 2   | Hexagon screw                   |          |                               |
| 20  | 1130611  | 1   | Bracket                         |          | (948333)                      |
| 21  | 952632   | 1   | Clamp                           |          |                               |
| 22  | 955269   | 2   | Hexagon screw                   |          |                               |
| 23  | 955892   | 2   | Washer                          |          |                               |
| 24  | 946035   | 2   | Lock nut                        |          |                               |
| 25  | 955270   | 2   | Hexagon screw                   |          |                               |
| 26  | 941912   | 1   | Spring washer                   |          |                               |
| 27  | 843122   | 1   | Spacer sleeve                   |          |                               |
| 28  | 843879   | 1   | Elbow nipple                    |          |                               |
| 29  | 948610   | 2   | O-ring                          |          |                               |
|     |          |     |                                 | 18158    |                               |
| 30  | 842965   | 1   | Pipe                            | 18158    |                               |
| 31  | 846776   | 1   | Tube                            |          |                               |
| 32  | 846216   | 2   | Hollow screw                    |          |                               |
| 33  | 907132   | 2   | Gasket                          |          |                               |
| 34  | 947282   | 2   | Gasket                          |          |                               |
| 35  | 846780   | 2   | Bracket                         |          |                               |
| 36  | 952624   | 2   | Clamp                           |          |                               |
| 37  | 955271   | 1   | Hexagon screw                   |          |                               |
| 38  | 955894   | 2   | Washer                          |          |                               |
| 39  | 955781   | 1   | Hexagon nut                     |          |                               |
| 40  | 842639   | 1   | Hose                            |          |                               |
| 41  | 842615   | 1   | Filter housing                  |          |                               |
| 42  | 463505   | 1   | Insert                          |          |                               |
| 43  | 842680   | 1   | Filter housing                  |          |                               |
| 44  | 463908   | 4   | • Clamp                         |          |                               |
| 45  | 673792   | 4   | • Lock                          |          |                               |
| 46  | 844593   | 1   | Bracket                         |          | OBSOLETE PART                 |
| 47  | 959224   | 2   | Hex. socket screw               |          | L = 45 MM                     |
|     | 959227   | 2   | Hex. socket screw               |          | L = 50 MM                     |
| 48  | 941907   | 4   | Spring washer                   |          |                               |
| 49  | 946036   | 4   | Lock nut                        |          |                               |
| 50  | 955317   | 2   | Hexagon screw                   |          | L = 25 MM                     |
| 51  |          |     | INDUCTION- AND EXHAUST MANIFOLD | 18158    |                               |