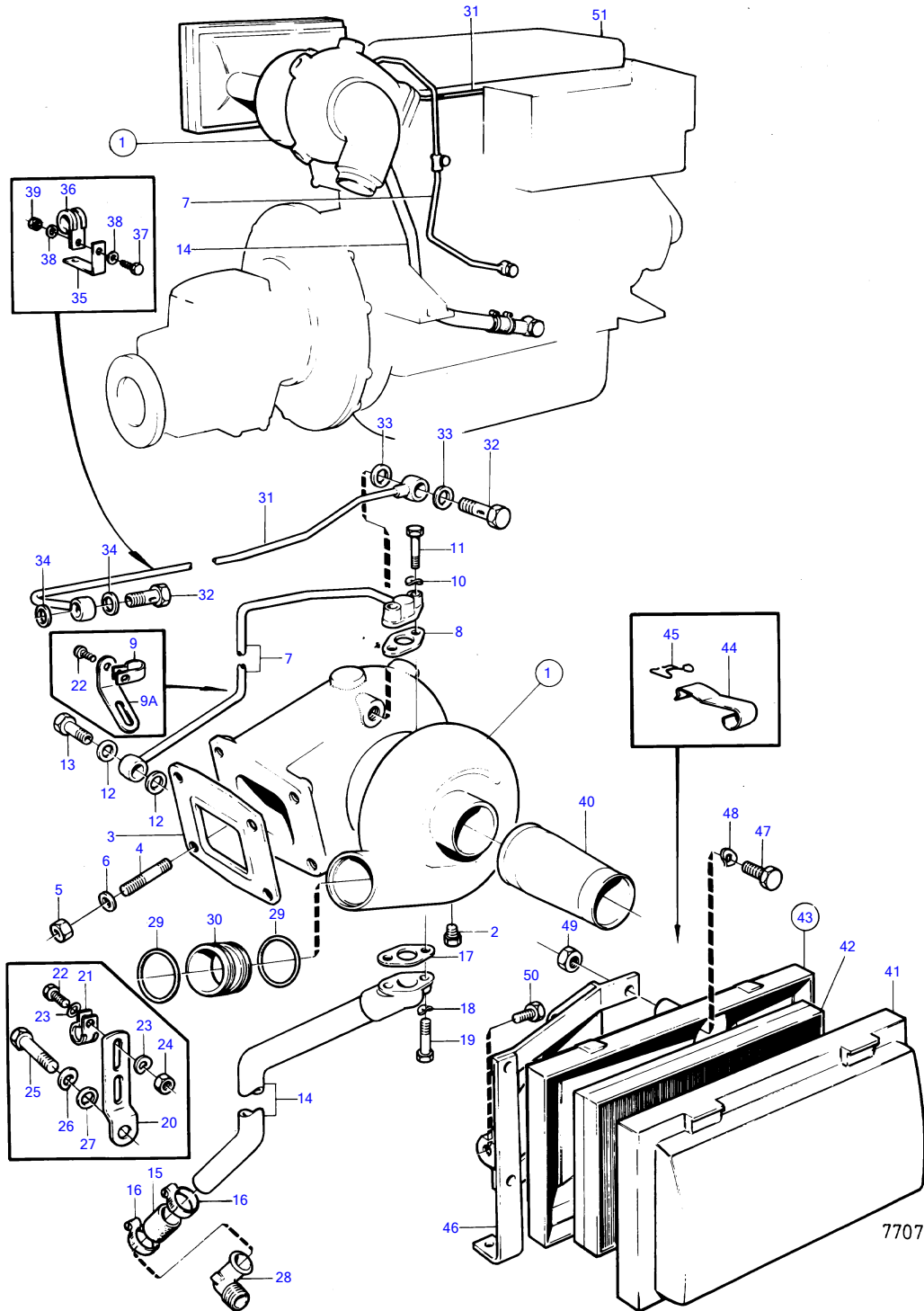


AQAD30A, TAMD30A



AQAD30A, TAMD30A

| REF | PART NO. | QTY | DESCRIPTION | SEE SEC. | NOTES |
|-----|----------|-----|---------------------------------|----------|--------------------------------|
| 1 | | 1 | Turbocharger | | |
| | 3802020 | 1 | Turbocharger, exch, exch | | |
| | | | . | 18156 | |
| 2 | 192134 | 1 | Plug | | |
| 3 | 843009 | 1 | Gasket | | |
| 4 | 953063 | 4 | Stud | | INCLUDED IN TURBO COMPRESSOR. |
| 5 | 940183 | 4 | Hexagon nut | | |
| 6 | 955895 | 4 | Washer | | |
| 7 | 846038 | 1 | Oil pressure pipe | | |
| 8 | 842943 | 1 | Gasket | | |
| 9 | 952625 | 1 | Clamp | | |
| 9A | 414692 | 1 | Bracket | | |
| 10 | 941907 | 2 | Spring washer | | |
| 11 | 940142 | 2 | Hexagon screw | | |
| 12 | 18671 | 2 | Gasket | | |
| 13 | 25167 | 1 | Hollow screw | | |
| 14 | 846039 | 1 | Oil return pipe | | |
| 15 | 466328 | 1 | Rubber hose | | |
| 16 | 943474 | 2 | Hose clamp | | |
| 17 | 842986 | 1 | Gasket | | |
| 18 | 941907 | 2 | Spring washer | | |
| 19 | 955297 | 2 | Hexagon screw | | |
| 20 | 1130611 | 1 | Bracket | | (948333) |
| 21 | 952632 | 1 | Clamp | | |
| 22 | 955269 | 2 | Hexagon screw | | |
| 23 | 955892 | 2 | Washer | | |
| 24 | 946035 | 2 | Lock nut | | |
| 25 | 955270 | 2 | Hexagon screw | | |
| 26 | 941912 | 1 | Spring washer | | |
| 27 | 843122 | 1 | Spacer sleeve | | |
| 28 | 843879 | 1 | Elbow nipple | | |
| 29 | 948610 | 2 | O-ring | | |
| | | | | 18159 | |
| 30 | 842965 | 1 | Pipe | 18159 | |
| 31 | 846776 | 1 | Tube | | |
| 32 | 846216 | 2 | Hollow screw | | |
| 33 | 907132 | 2 | Gasket | | |
| 34 | 947282 | 2 | Gasket | | |
| 35 | 846780 | 2 | Bracket | | |
| 36 | 952624 | 2 | Clamp | | |
| 37 | 955271 | 1 | Hexagon screw | | |
| 38 | 955894 | 2 | Washer | | |
| 39 | 955781 | 1 | Hexagon nut | | |
| 40 | 842639 | 1 | Hose | | |
| 41 | 842615 | 1 | Filter housing | | |
| 42 | 463505 | 1 | Insert | | |
| 43 | 842680 | 1 | Filter housing | | |
| 44 | 463908 | 4 | • Clamp | | |
| 45 | 673792 | 4 | • Lock | | |
| 46 | 844593 | 1 | Bracket | | OBSOLETE PART |
| 47 | 959224 | 2 | Hex. socket screw | | L = 45 MM |
| | 959227 | 2 | Hex. socket screw | | L = 50 MM |
| 48 | 941907 | 5 | Spring washer | | |
| 49 | 946036 | 4 | Lock nut | | |
| 50 | 955317 | 2 | Hexagon screw | | L = 25 MM |
| | 955317 | 1 | Hexagon screw | | SPEC.867947,867983., L = 25 MM |
| | 955318 | 1 | Hexagon screw | | SPEC.867947,867983., L = 30 MM |
| 51 | | | INDUCTION- AND EXHAUST MANIFOLD | 18159 | |