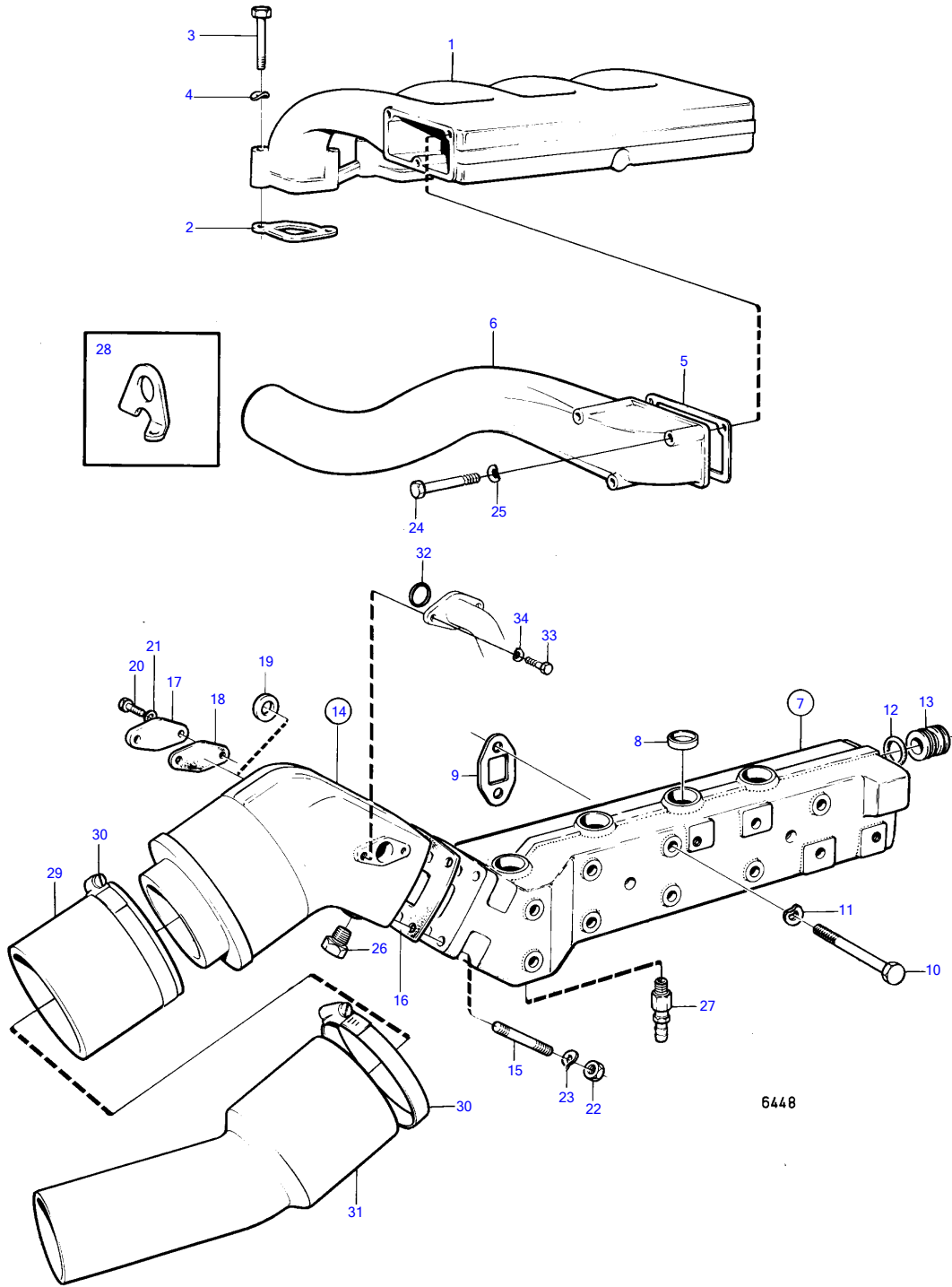


MD30A



## MD30A

REF	PART NO.	QTY	DESCRIPTION	NOTES
1	846081	1	Inlet pipe	OBSOLETE PART
2	1542289	4	Gasket	
3	955302	8	Hexagon screw	
4	941907	6	Spring washer	
5	846074	1	Gasket	
6	846029	1	Connection pipe	0400-0280, OBSOLETE PART
7	846087	1	Exhaust pipe	OBSOLETE PART
8	946780	8	• Cap plug	
9	1542123	4	Gasket	
10	955336	2	Hexagon screw	L = 160 MM
	955330	6	Hexagon screw	L = 100 MM
11	941908	8	Spring washer	
12	925068	1	O-ring	
13	842965	1	Pipe	0050-0640
14	844091	1	Exhaust manifold	
15	924079	4	• Stud	
16	843009	1	Gasket	
17	844093	1	Flange	
18	843042	1	Gasket	
19		1	SEAL RING	SEE GROUP 4A
20	955271	2	Hexagon screw	
21	941906	2	Spring washer	
22	940183	4	Hexagon nut	
23	955895	4	Washer	
24	940129	1	Hexagon screw	L = 90 MM
	100222	1	Hexagon screw	L = 85 MM
	955299	1	Hexagon screw	L = 45 MM
25	941907	3	Spring washer	
26	192134	1	Plug	
27	949918	1	Shut-off cock	
28		1	LIFTING IRON	
29	846778	1	Exhaust hose	
30	853012	2	Hose clamp	(961676)
31	838313	1	Exhaust pipe	OBSOLETE PART
32	842913	1	Sealing ring	0050-0765
33	955271	2	Hexagon screw	0050-0767
34	941906	2	Spring washer	0050-0768