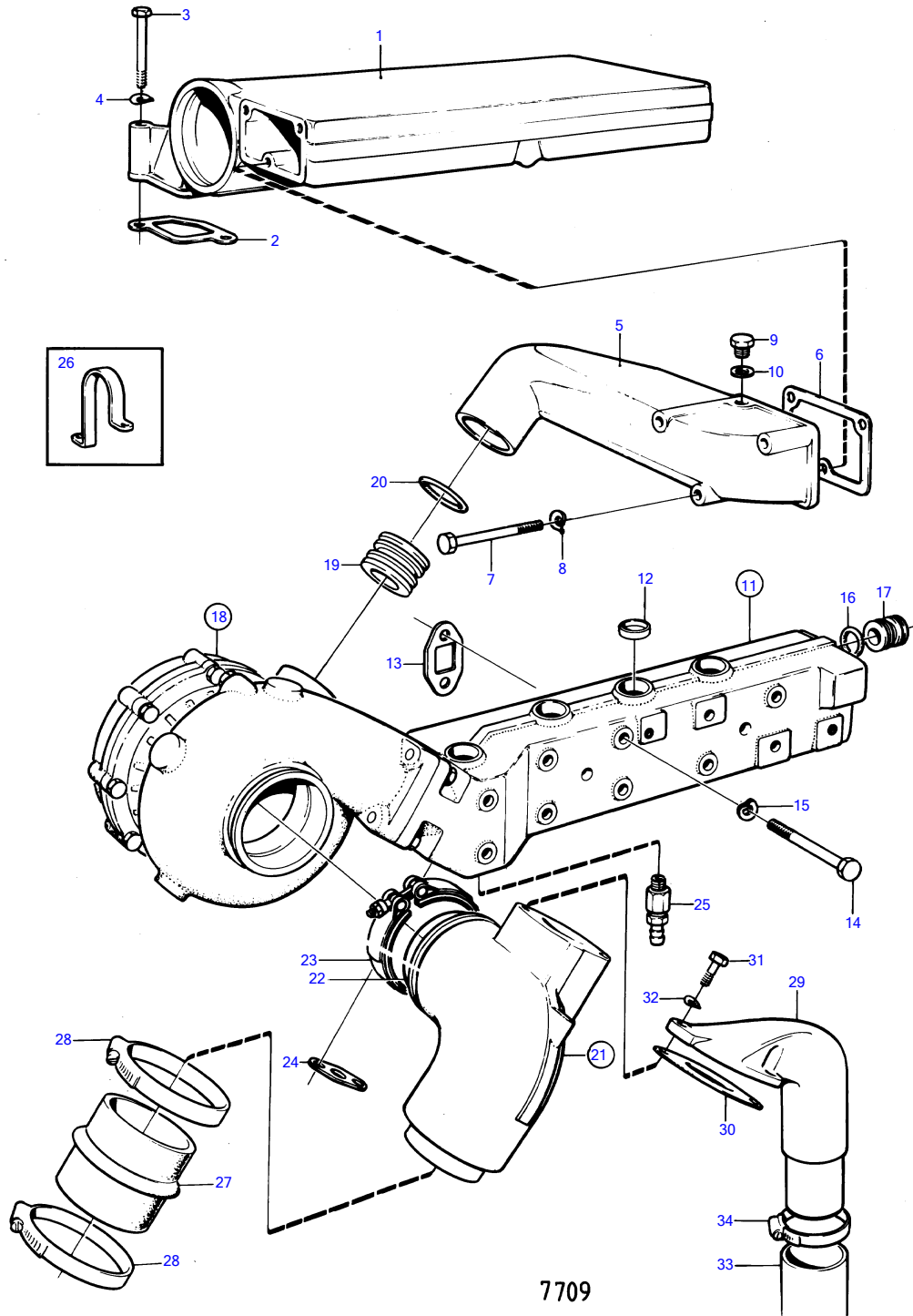


AQAD30A



A

AQAD30A

| REF | PART NO. | QTY | DESCRIPTION | SEE SEC. | NOTES |
|-----|----------|-----|--------------------------|----------|-------------------------|
| 1 | 846032 | 1 | Inlet pipe | 18148 | OBSOLETE PART |
| 2 | 1542289 | 4 | Gasket | | |
| 3 | 955302 | 4 | Hexagon screw | | L = 60 MM |
| | 955307 | 4 | Hexagon screw | | L = 100 MM |
| 4 | 941907 | 6 | Spring washer | | |
| 5 | 845990 | 1 | Connection pipe | | OBSOLETE PART |
| 6 | 846074 | 1 | Gasket | | |
| 7 | 940129 | 1 | Hexagon screw | | L = 90 MM |
| | 100222 | 1 | Hexagon screw | | L = 85 MM |
| | 955299 | 1 | Hexagon screw | | L = 45 MM |
| 8 | 941907 | 3 | Spring washer | | |
| 9 | 960628 | 1 | Plug | | |
| 10 | 957173 | 1 | Gasket | | |
| 11 | 846087 | 1 | Exhaust pipe | | OBSOLETE PART |
| 12 | 946780 | 8 | • Cap plug | | |
| 13 | 1542123 | 4 | Gasket | | |
| 14 | 955336 | 2 | Hexagon screw | | L = 160 MM |
| | 955330 | 6 | Hexagon screw | | L = 100 MM |
| 15 | 941908 | 8 | Spring washer | | |
| 16 | 925067 | 1 | O-ring | 18146 | |
| | | | | 18148 | |
| 17 | 842965 | 1 | Pipe | 18146 | |
| | | | | 18148 | |
| 18 | | 1 | Turbocharger | 18155 | |
| | 3802020 | 1 | Turbocharger, exch, exch | 18155 | |
| 19 | 842965 | 1 | Pipe | 18155 | |
| 20 | 948610 | 2 | O-ring | | |
| | | | | 18155 | |
| 21 | 845261 | 1 | Exhaust riser | | |
| 22 | 845408 | 1 | • Gasket | | |
| 23 | 842993 | 1 | V-band clamp | | |
| 24 | 843042 | 1 | Gasket | | |
| | | | | 18146 | |
| 25 | 949918 | 1 | Shut-off cock | | |
| 26 | | 1 | LIFTING IRON | | |
| 27 | 843228 | 1 | Exhaust hose | | SEE GROUP 4A |
| 28 | 943483 | 2 | Hose clamp | | SEE GROUP 4A |
| 29 | 845791 | 1 | Connector | | TAMD30A/BT |
| 30 | 845527 | 1 | Gasket | | TAMD30A/BT |
| 31 | 959219 | 2 | Hex. socket screw | | TAMD30A/BT |
| 32 | 941907 | 2 | Spring washer | | TAMD30A/BT |
| 33 | 835199 | 1 | Hose | | (835472), OBSOLETE PART |
| | | | | 18148 | |
| | 838545 | 1 | Hose | 18148 | |
| 34 | 943475 | 2 | Hose clamp | 18148 | |

7744050-26-18159

7709

Upd:2010-07-01