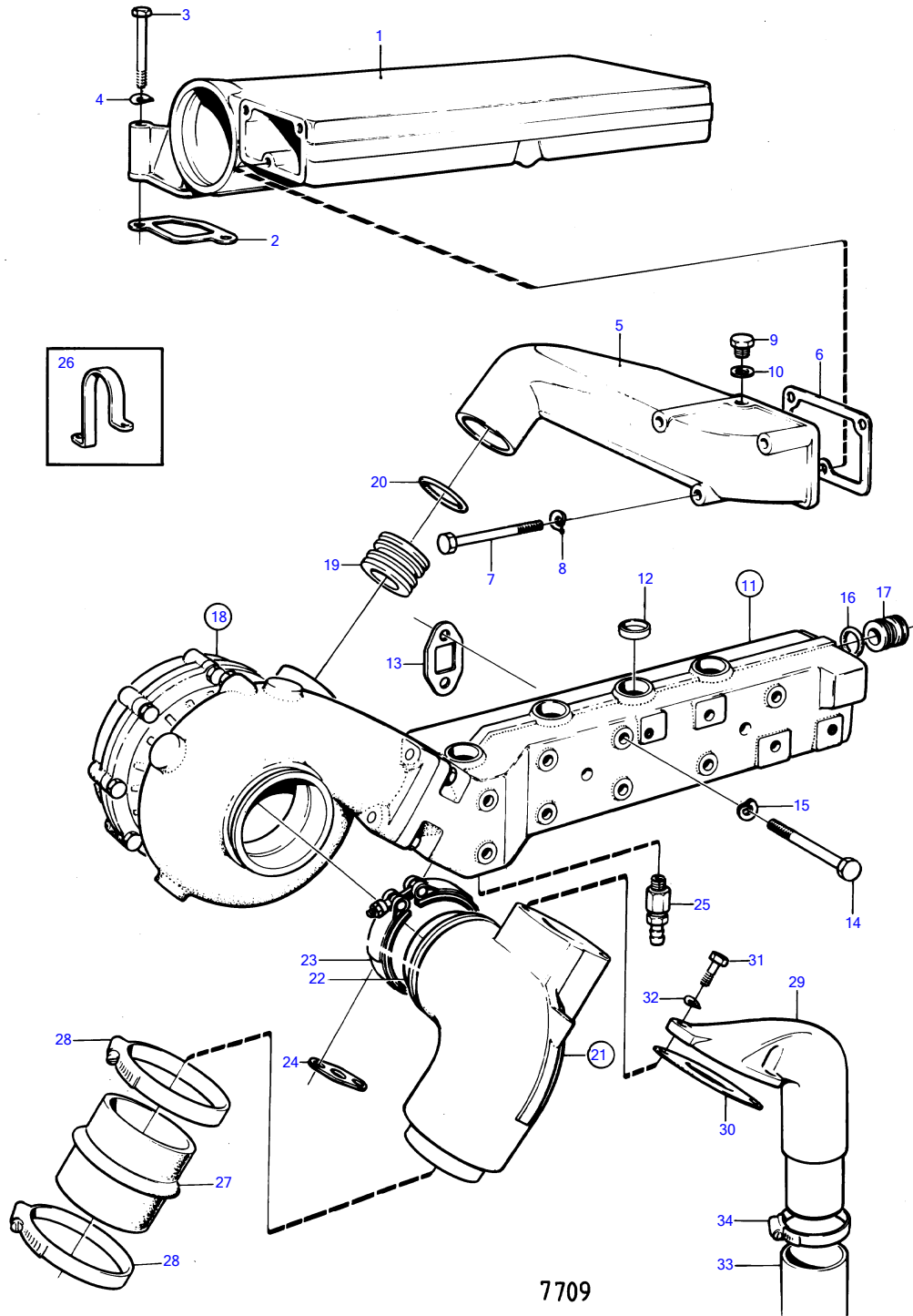


AQAD30A



7709

A

AQAD30A

REF	PART NO.	QTY	DESCRIPTION	SEE SEC.	NOTES
1	846032	1	Inlet pipe	18148	OBSOLETE PART
2	1542289	4	Gasket		
3	955302	4	Hexagon screw		L = 60 MM
	955307	4	Hexagon screw		L = 100 MM
4	941907	6	Spring washer		
5	845990	1	Connection pipe		OBSOLETE PART
6	846074	1	Gasket		
7	940129	1	Hexagon screw		L = 90 MM
	100222	1	Hexagon screw		L = 85 MM
	955299	1	Hexagon screw		L = 45 MM
8	941907	3	Spring washer		
9	960628	1	Plug		
10	957173	1	Gasket		
11	846087	1	Exhaust pipe		OBSOLETE PART
12	946780	8	• Cap plug		
13	1542123	4	Gasket		
14	955336	2	Hexagon screw		L = 160 MM
	955330	6	Hexagon screw		L = 100 MM
15	941908	8	Spring washer		
16	925067	1	O-ring	18146	
				18148	
17	842965	1	Pipe	18146	
				18148	
18		1	Turbocharger	18155	
	3802020	1	Turbocharger, exch, exch	18155	
19	842965	1	Pipe	18155	
20	948610	2	O-ring		
				18155	
21	845261	1	Exhaust riser		
22	845408	1	• Gasket		
23	842993	1	V-band clamp		
24	843042	1	Gasket		
				18146	
25	949918	1	Shut-off cock		
26		1	LIFTING IRON		
27	843228	1	Exhaust hose		SEE GROUP 4A
28	943483	2	Hose clamp		SEE GROUP 4A
29	845791	1	Connector		TAMD30A/BT
30	845527	1	Gasket		TAMD30A/BT
31	959219	2	Hex. socket screw		TAMD30A/BT
32	941907	2	Spring washer		TAMD30A/BT
33	835199	1	Hose		(835472), OBSOLETE PART
				18148	
	838545	1	Hose	18148	
34	943475	2	Hose clamp	18148	

7744050-26-18159

7709

Upd:2010-07-01

AD30A, AQAD30A, MD30A, TAMD30A, TMD30A, AD30, AQAD30, MD30, TAMD30, TMD30

**VOLVO**  
**PENTA**