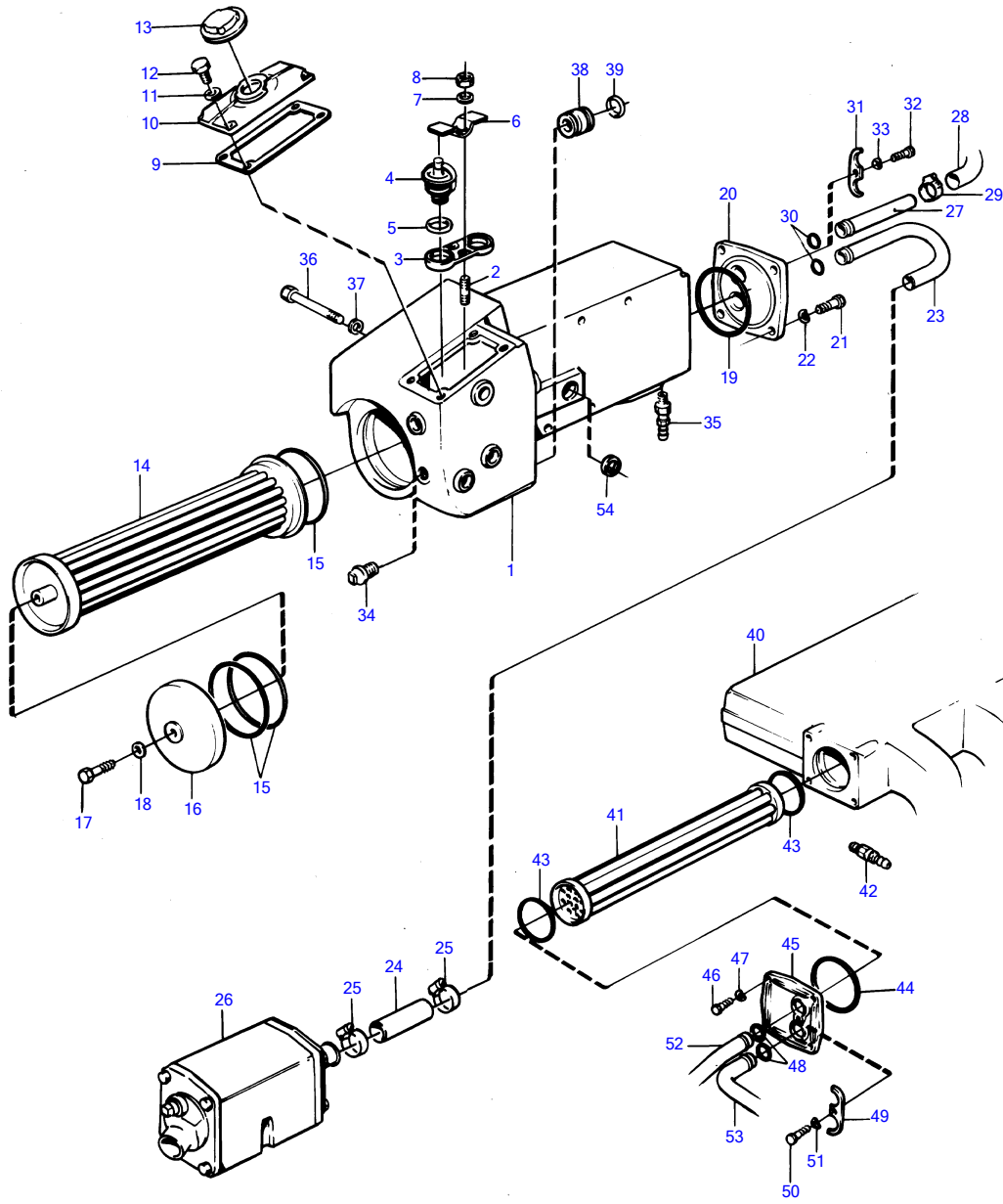


AQAD30A



7637

AQAD30A

| REF | PART NO. | QTY | DESCRIPTION | SEE SEC. | NOTES |
|-----|----------|-----|-----------------|----------|---|
| 1 | 846773 | 1 | Housing | | REPL BY 838532 |
| | 838532 | 1 | Housing | | POUR INDICATEUR DE TEMP% E1RATURE 840345, MO4690- |
| 2 | 924060 | 2 | Stud | | |
| 3 | 845285 | 1 | Retainer | | |
| 4 | 875787 | 2 | Thermostat kit | | (1544297) |
| 5 | 416033 | 2 | • Sealing ring | | |
| 6 | 845852 | 1 | Shield | | OBSOLETE PART |
| 7 | 941670 | 2 | Washer | | |
| 8 | 946330 | 2 | Hexagon nut | | |
| 9 | 845291 | 2 | Gasket | | LATE TYPE |
| 10 | 845284 | 1 | Cardboard tube | | |
| 11 | 941907 | 4 | Spring washer | | |
| 12 | 955295 | 4 | Hexagon screw | | |
| 13 | 845879 | 1 | Pressure cap | | |
| 14 | 846056 | 1 | Insert | | REPL BY 838909 |
| | 838909 | 1 | Insert | | MO4730- |
| | | | | | REPL BY 858639 |
| | 858639 | 1 | Insert | | |
| | | | Bulletin 44-06 | 44-06-EN | Heat Exchanger, After Cooler |
| 15 | 925258 | 3 | O-ring | | |
| 16 | 845679 | 1 | Cardboard tube | | |
| 17 | 963567 | 1 | Hexagon screw | | |
| 18 | 11992 | 1 | Gasket | | |
| 19 | 925259 | 1 | O-ring | | |
| 20 | 846090 | 1 | Cardboard tube | | OBSOLETE PART |
| 21 | 955296 | 4 | Hexagon screw | | |
| 22 | 941907 | 4 | Spring washer | | |
| 23 | 846046 | 1 | Coolant pipe | 18146 | |
| 24 | 944386 | X | Rubber hose | | L = 90 MM |
| 25 | 943475 | 2 | Hose clamp | | |
| 26 | 846098 | 1 | Oil cooler | | REPL BY 838967 |
| | 838967 | 1 | Oil cooler | | MO5312- |
| | | | | 18151 | |
| 27 | 846052 | 1 | Coolant pipe | | EXCL AQAD30A/290DP, OBSOLETE PART |
| | 838544 | 1 | Hose connection | | AQAD30A/290DP, OBSOLETE PART |
| 28 | 835199 | 1 | Hose | | EXCL AQAD30A/290DP, OBSOLETE PART |
| | | | | 18159 | |
| | 838545 | 1 | Hose | | AQAD30A/290DP |
| | | | | 18159 | |
| 29 | 943475 | 2 | Hose clamp | 18159 | |
| 30 | 858986 | 2 | Sealing ring | | (842744) |
| 31 | 829691 | 1 | Retainer | | |
| 32 | 955270 | 1 | Hexagon screw | | |
| 33 | 941906 | 1 | Spring washer | | |
| 34 | 952358 | 3 | Plug | | |
| | 952077 | 3 | Plug | | FOR 838532 |
| 35 | 949918 | 1 | Shut-off cock | | |
| 36 | 955335 | 2 | Hexagon screw | | L = 150 MM |
| | 955332 | 1 | Hexagon screw | | L = 120 MM |
| 37 | 941908 | 3 | Spring washer | | |
| 38 | 842965 | 1 | Pipe | 18159 | |
| 39 | 925067 | 2 | O-ring | 18146 | |
| 40 | 846032 | 1 | Inlet pipe | 18159 | OBSOLETE PART |
| 41 | 845978 | 1 | Insert | | REPL BY 838911 |
| | 838911 | 1 | Insert | | |
| | | | Bulletin 44-06 | 44-06-EN | Heat Exchanger, After Cooler |
| 42 | 949918 | 1 | Shut-off cock | | |
| 43 | 925258 | 2 | O-ring | | |
| 44 | 925259 | 1 | O-ring | | |
| 45 | 846090 | 1 | Cardboard tube | | OBSOLETE PART |
| 46 | 955295 | 4 | Hexagon screw | | |
| 47 | 941907 | 4 | Spring washer | | |
| 48 | 858986 | 2 | Sealing ring | | (842744) |

7744050-26-18148

7637

Upd:2010-07-01

AD30A, AQAD30A, MD30A, TAMD30A, TMD30A, AD30, AQAD30, MD30, TAMD30, TMD30

AQAD30A

| REF | PART NO. | QTY | DESCRIPTION | SEE SEC. | NOTES |
|-----|----------|-----|---------------|----------|-------------------------|
| 49 | 829691 | 1 | Retainer | | |
| 50 | 955270 | 1 | Hexagon screw | | |
| 51 | 941906 | 1 | Spring washer | | |
| 52 | 846054 | 1 | Coolant pipe | | REPL BY 838975 |
| | 838975 | 1 | Coolant pipe | | (846054), OBSOLETE PART |
| | | | | 18146 | |
| 53 | 846772 | 1 | Tube | 18146 | OBSOLETE PART |
| | | | | 18146 | |
| 54 | 925068 | 1 | O-ring | | |